



[www.ceesockets.com](http://www.ceesockets.com)

**ZZDQ**<sup>®</sup>

**HENAN ZZDQ ELECTRICAL CO., LTD.**

Add: Anyang, Henan, China, 455000

Email: [sales@ceesockets.com](mailto:sales@ceesockets.com)

Tel: +86 15039973224

<https://www.ceesockets.com/>

SUPPLIER OF GLOBAL HIGH-END  
INDUSTRIAL CONNECTING DEVICES

**INDUSTRIAL PLUGS. WARNING LIGHT ALARM**

# ABOUT US

## ZZDQ

HENAN ZZDQ ELECTRICAL CO., LTD.



Henan ZZDQ Electric Co., Ltd. (ZZDQ) is one of the largest industrial plug and socket manufacturers in China. ZZDQ is a brick-and-mortar comprehensive manufacturer which integrates research & development, the fabrication factory, and selling of the industrial plugs and sockets.

The industrial plug and socket manufactured by ZZDQ feature in good resistance performance against dust, water, splash, moisture, corrosion, flame, high temperature, aging, and impact.

The proven products are widely applied in various industries, such as metallurgy, petrochemical engineering, power industry, electrics, building construction, airport, water treatment plant, plastic machinery, IT, military, railway, health care, food, automation, packing machinery, tunnel construction, and entertainment, etc.

ZZDQ takes product quality as the top priority. Our company complies with ISO9001:2000 quality management system. We are also aligned with Chinese GB/T11918 and GB/T11919. Internationally speaking, our products comply with IEC-60309-160309-2. We have CE certificate, CCC certificate, ROHS certification, and CE Test.

Our products are sold all over the world. We have dealers in several countries. Our products are recognized by new and old customers. Our reputation is maintained by the consistently improving quality control system.

Please visit our official website: <http://ceesockets.com/> to learn more.



# HONOR CERTIFICATE

HENAN ZZDQ ELECTRICAL CO., LTD.

In order to ensure the stability and reliability of the product quality, we adhere to the international quality standard system operation and the implementation of strict inspection and monitoring our high standards because the brand pursuit of perfection, many of our certification is not just glory, It is our motivation.



Rigorous Earnest Responsible

# WIDE APPLICATION

HENAN ZZDQ ELECTRICAL CO., LTD.



Provide different series products for different environment  
Resistance to severe weather and ageing  
Good space stability and accuracy  
Good resistance to acid and alkali  
Effectively prevent power outages and leakage



# TESTING AND QUALITY ASSURANCE

HENAN ZZDQ ELECTRICAL CO., LTD.

## INSERTION AND EXTRACTION FORCE TEST



At product design, first we define a logical temperature rise range, and then we do best to make the product with a best insertion and extraction handle within the range.

The purpose of insertion and extraction test is to convert emotional handle into rational data for the use in product design, improvement, evaluation and delivery inspection.

## SAND AND DUST TEST



We produce products available for use around the world, so one of problems taken into account is the operational environment for the product, so as to evaluate the product adaptability of storage, transport or operation when it's exposed to atmosphere with dry sand or dust.

Sand and dust test adopts simulated sand and dust environment to test the dust resistance of the product and to confirm whether the product can be used for long in various hostile natural environment.

## RAIN TEST



As is well-known, the product in working condition or in storage condition, tends to be affected by various kinds of liquid more or less. The osmosis, flow, impact or accumulation of the liquid may have a variety of effect on the product material and performance, and even may destroy its structure. Therefore, the affect from liquid can not be ignored.

The purpose of rainfall test is to confirm the reverse osmosis capacity of the housing and its operation stability and reliability when or after the equipment undergoes liquid erosion.

## HIGH AND LOW TEMPERATURE TEST



Present in the Earth's surface and atmosphere, space and variety of natural environmental factors induced by environmental factors, many of them larger factors on the use of electrical products and life no less than a dozen. Effect of temperature on the product is the most obvious.

At low temperature, high temperature conditions, and other relevant physical characteristics of the product environment simulation test, after the test, by testing to determine the performance of the product, is still able to meet predetermined requirements.

## PRESSURE TEST



We designed and developed products, mainly to meet the long-term work in the exposed environment. So that the product has better, better compression capacity. Our test in order to facilitate the real environment in the test, to enrich the performance of product design and development.

# FEATURE

## FEATURE OF PLUG AND SOCKET

HENAN ZZDQ ELECTRICAL CO., LTD.

### STANDARD CONNECTOR



Connector with double screw type terminals, the cable wire stripping placed below the terminal, tighten the bolts first one, good pretension, then release the cable conductors, free tightened. Such a standard design, assembly is simple, safe, and durable.

### STANDARD PLUG



Depending on the polarity of the connecting cable, customers can freely choose the cable wiring, you can not import the cable core wire nuts, you can use the cable core wire nuts imported. Selective and flexible, there is no security risk. Plug design economical and practical, to meet customer's operational requirements.



- Socket terminal housing high-temperature resistant
- The diameter of cable for 63A is 36.5mm, 125A is 50mm
- The terminal of 125A are torsion terminal
- Can be inserted with big diameter cable
- Without cable wiring cap
- Contact pressure equalization
- Excellent conductive properties



- 16A, 32A, 63A Connector use soft contact technology
- Superior insertion and retention performance
- Superior mechanical properties and electrical properties



- Excellent contact, loosen the tail bolts to install easily

# PARAMETER

## PROTECTION RATINGS

HENAN ZZDQ ELECTRICAL CO., LTD.

Protection Against Solids			Protection Against Liquids			Protection Against Impact		
IP	Testing	No Protection	IP	Testing	No Protection	IK	Testing	No Protection
0		No Protection	0		No Protection	00		No Protection
1		Protected against solid objects equal to or greater than 50mm diameter. (eg. accidental contact with hand)	1		Protected against drops of water falling vertically	1		Impact of 0.7J
2		Protected against solid objects equal to or greater than 12mm diameter. (eg. contact with finger)	2		Protected against drops of water falling at up to 15 degree from the vertical	2		Impact of 1J
3		Protected against solid objects equal to or greater than 2.5mm diameter. (eg. tools and wires)	3		Protected against spraying water falling at up to 60 degree from the vertical	3		Impact of 2J
4		Protected against solid objects equal to or greater than 1mm diameter. (eg. wires)	4		Protected against splashing water from all directions.	4		Impact of 5J
5		Protected against quantities of dust	5		Protected against jets of water from all directions.	5		Impact of 10J
6		Completely protected against dust.	6		Protected against jets of water of similar force to heavy seas.	6		Impact of 20J
			7		Protected against the effects of immersion at 5cm below surface of water			
			8		Protected against the effects of continuous immersion.			

According to the 100th part of VDE0470 "The protection degree of external operation of electrical equipment to the external mechanical damage (IK code)" IK code represent the protection degree of the shell against mechanical impact.  
IK code: Impact energy/joules

## INTERNATIONAL STANDARD IEC309

The system is laid for the unification of power connection. It provides an easy identification of employing voltage and frequency, and prevention of any mis-connection of different electrical systems. The followings are the two main features:

## COLOUR CODES

In case of using colours for coding the different voltage and frequencies besides the necessary labels, the following colours have to be used.



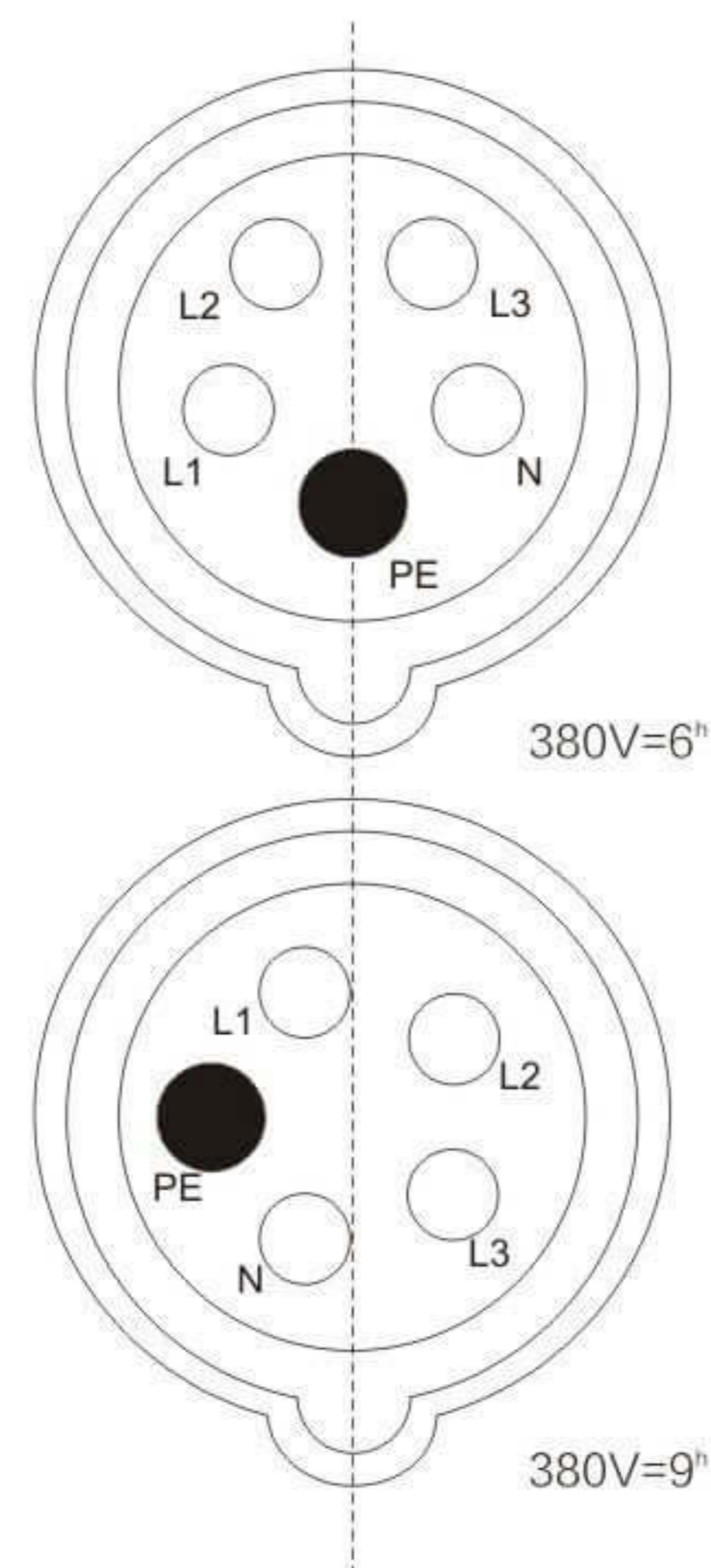
## CONTACT PINS' POSITIONS

The electrical system is classified by the position of the earth contact pin in the socket-outlet or connector when viewed from the front with the keyway at the 6 o'clock. The position is represented in hours (h) with respect to a clock, e.g. 6h and 9h as shown.

## STELLUNG DES SCHUTZKONTAKTES NACH IEC 60309

Spannung V	Frequenz Hz	2P+E		2P+E		2P+E	
		16+32A	63+125A	16+32A	16+125A	16+32A	16+125A
63,5/110 bis 75/130	50+60					4	4
110 bis 130	50+60	4	4	4	4		
120/208 bis 144/130	50+60					9	9
220 bis 250	50+60	6	6	9	9		
220/380 bis 240/130	50+60					6	6
220/380 bis 250/440	50+60					3	3*
250/400 bis 265/460	60					11	11
277	60	5	5				
277/480 bis 280/130	50+60					7	7
347/600 bis 400/690	50+60					5	5
380 bis 415	50+60	9	9	6	6		
380; 440	50+60			3	3*		
440 bis 465	60			11	11		
480 bis 500	50+60	7	7	7	7		
600 bis 690	50+60			5	5		
über 50	100 bis 300	10*	10*	10*	10*	10*	10*
über 50	> 300 bis 500	2*	2*	2*	2*	2*	2*
ber 50 bis 250	Gleichstrom	3	3				
über 250	Gleichstrom	8	8				
Versorgung nach Trenntransformator	50+60	12	12	12	12		

View frontside coupling

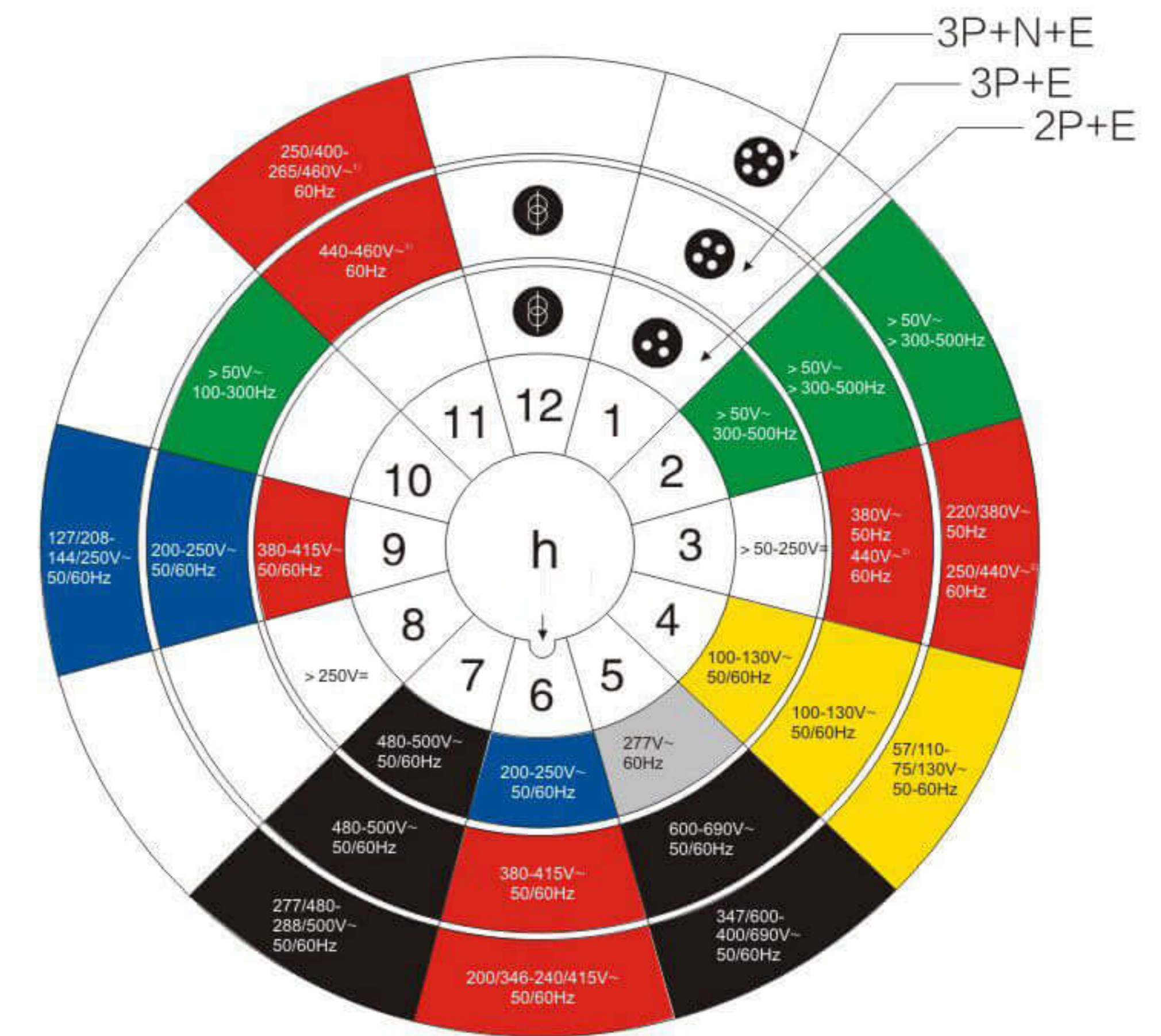


\*nicht Standard

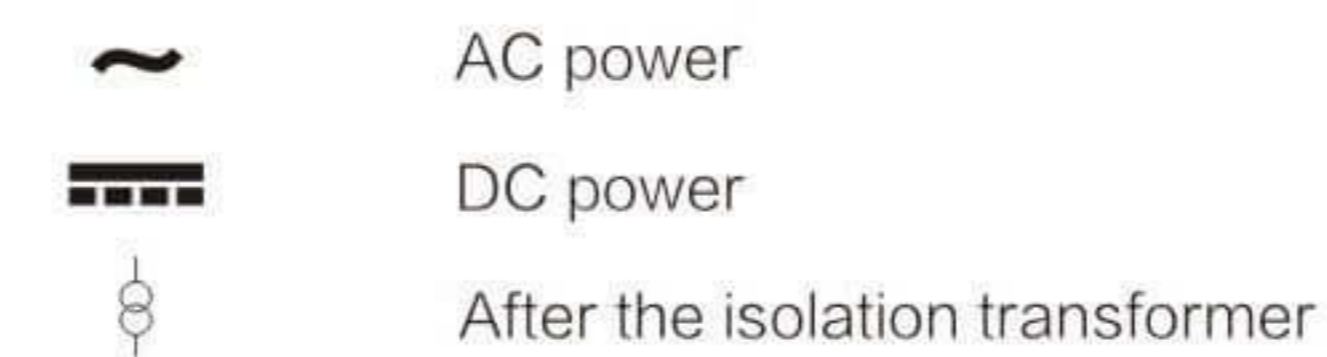
All products made by us (Zhongzhao) are in compliance with the standards of IEC309-1/2, en6039-1/2, GB11918/11919, DIN49462/49463 and Bs4343, use colors to stand for different voltage and frequency, refer to the following picture, the different products can't be interchanged, because the diameter of earthing insert and sleeve are big, moreover the earthing insert will be located at different O'clock on basis of voltage and frequency.

Each product marked with rated current, voltage, freq, earthing contact, small key or small keyway.

The plug and receptacle with rated voltage more than 50V, the symbol for indicating the position of earthing contact will be marked with a number plus a letter "h". This number is related to compare the front of connector or receptacle with clock, when the position of keyway determined as 6, which is defined according to the location of earthing insert and sleeve.



Applicable symbols:



Number of pole	Freq	Voltage	Clock
2P, 3P	50-60Hz	20-25V	6h
	50-60Hz	40-50V	12h
	100-200Hz	40-50V	4h
	300Hz	20-25V 40-50V	2h
	400Hz	20-25V 40-50V	3h
	400-500Hz	20-25V 40-50V	11h
		50V以上 Over 50V	10h

For the connectors with rated voltage less than 50V, the symbol for indicating small key or small keyway will be marked with a number plus a letter "h". This number is related to compare the front of connector or receptacle with clock, when the position of large key determined as 6, which is defined according to the location of small key.

For plug and appliance type receptacles, the symbol to indicate earthing insert or the location of small keyway shall be same as the symbol of related receptacle or connector.

# PRODUCT INDEX

HENAN ZZDQ ELECTRICAL CO., LTD.



High-end Type Industrial Plug & Socket

01-15



Economic Type Industrial Plug & Socket

16-32



Standard Multi-function Plug & Socket

33-34



Combination Socket Device

35-36



Signal Tower Light/Multi-Level Warning Light

38-42



Auto Warning Light/Strobe Light/Rotating Warning Light

43-52



Motor Siren/Alarm

53



Indicate Light/ Signal Light

54

ZZDQ

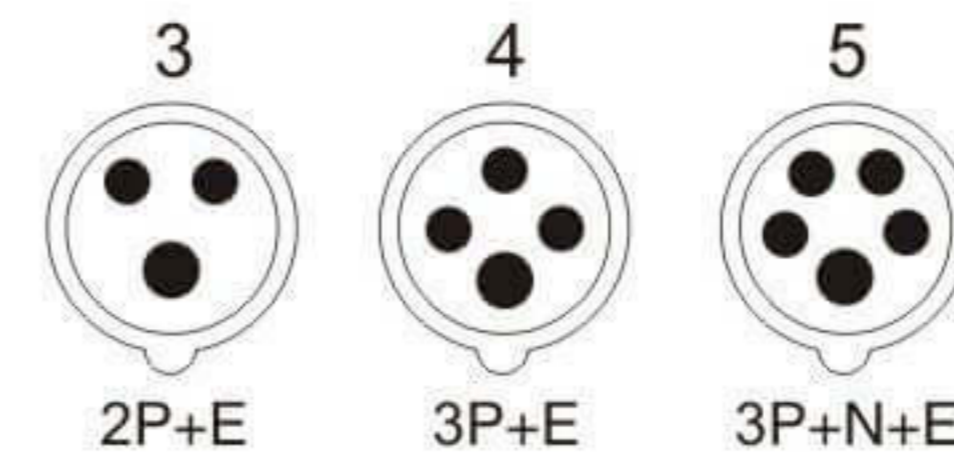
## INDUSTRIAL PLUG AND SOCKET SERIES





Industrial plugs, sockets, couplers (connectors) for the world

◆Products that meet the German industry standard DIN VDE 0623, European / International Standard EN/IEC 60309-1/2 For other voltages and frequencies, please contact us for further information.



Appellation	Code	Normal current	Earth contact position	Normal voltage	Number of poles	Protection degree
Plug	ZZ-013X-4	16A	4h	100-130V~	2P+E	IP44
Plug	ZZ-023X-4	32A	4h	100-130V~	2P+E	IP44

	(mm)					(mm <sup>2</sup> ) Cable nominal cross-section area
	a	b	Φc	d	e	
ZZ-013X-4	58	47	7-15	135	104	1-2.5
ZZ-023X-4	80.7	63	10-20	171	130	2.5-6



Appellation	Code	Normal current	Earth contact position	Normal voltage	Number of poles	Protection degree
Plug	ZZ-0132-4	16A	4h	100-130V~	2P+E	IP67
Plug	ZZ-0232-4	32A	4h	100-130V~	2P+E	IP67

	(mm)					(mm <sup>2</sup> ) Cable nominal cross-section area
	a	b	Φc	d	e	
ZZ-0132-4	75.5	47	7-15	135	98	1-2.5
ZZ-0232-4	99	63	10-20	171	125	2.5-6



Appellation	Code	Normal current	Earth contact position	Normal voltage	Number of poles	Protection degree
Plug	ZZ-013X	16A	6h	220-250V~	2P+E	IP44
Plug	ZZ-023X	32A	6h	220-250V~	2P+E	IP44

	(mm)					(mm <sup>2</sup> ) Cable nominal cross-section area
	a	b	Φc	d	e	
ZZ-013X	58	47	7-15	135	104	1-2.5
ZZ-023X	80.7	63	10-20	171	130	2.5-6



Appellation	Code	Normal current	Earth contact position	Normal voltage	Number of poles	Protection degree
Plug	ZZ-0132	16A	6h	220-250V~	2P+E	IP67
Plug	ZZ-0232	32A	6h	220-250V~	2P+E	IP67

	(mm)					(mm <sup>2</sup> ) Cable nominal cross-section area
	a	b	Φc	d	e	
ZZ-0132	75.5	47	7-15	139	112	1-2.5
ZZ-0232	99	63	10-20	175	130	2.5-6



Appellation	Code	Normal current	Earth contact position	Normal voltage	Number of poles	Protection degree
Plug	ZZ-014X	16A	6h	380-415V~	3P+E	IP44
Plug	ZZ-024X	32A	6h	380-415V~	3P+E	IP44

	(mm)					(mm <sup>2</sup> ) Cable nominal cross-section area
	a	b	Φc	d	e	
ZZ-014X	66.7	53.5	7-15	140	103	1-2.5
ZZ-024X	85	63	10-20	171	130	2.5-6



Appellation	Code	Normal current	Earth contact position	Normal voltage	Number of poles	Protection degree
Plug	ZZ-0142	16A	6h	380-415V~	3P+E	IP67
Plug	ZZ-0242	32A	6h	380-415V~	3P+E	IP67

	(mm)					(mm <sup>2</sup> ) Cable nominal cross-section area
	a	b	Φc	d	e	
ZZ-0142	83	53.5	7-15	143	108	1-2.5
ZZ-0242	99	63	10-20	175	129	2.5-6



Appellation	Code	Normal current	Earth contact position	Normal voltage	Number of poles	Protection degree
Plug	ZZ-015X	16A	6h	220-380V~ 240-415V~	3P+N+E	IP44
Plug	ZZ-025X	32A	6h	220-380V~ 240-415V~	3P+N+E	IP44

	(mm)					(mm <sup>2</sup> ) Cable nominal cross-section area
	a	b	Φc	d	e	
ZZ-015X	75	60	8-16	145	112	1-2.5
ZZ-025X	89	70	12-22	178	132	2.5-6

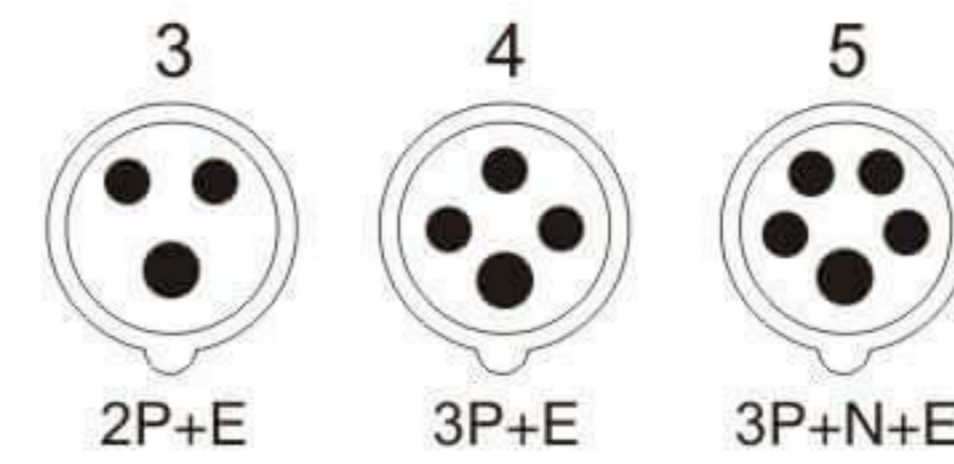


Appellation	Code	Normal current	Earth contact position	Normal voltage	Number of poles	Protection degree
Plug	ZZ-0152	16A	6h	220-380V~ 240-415V~	3P+N+E	IP67
Plug	ZZ-0252	32A	6h	220-380V~ 240-415V~	3P+N+E	IP67

	(mm)					(mm <sup>2</sup> ) Cable nominal cross-section area
	a	b	Φc	d	e	
ZZ-0152	92	60	8-16	139	95	1-2.5
ZZ-0252	107	70	12-22	170	124	2.5-6

Industrial plugs, sockets, couplers (connectors) for the world

◆Products that meet the German industry standard DIN VDE 0623, European / International Standard EN/IEC 60309-1/2 For other voltages and frequencies, please contact us for further information.



Appellation	Code	Normal current	Earth contact position	Normal voltage	Number of poles	Protection degree
Plug	ZZ-0332-4h	63A	4h	100-130V~	2P+E	IP67
Plug	ZZ-0432-4h	125A	4h	100-130V~	2P+E	IP67

(mm)	a	b	Φc	d	e	Cable nominal cross-section area (mm <sup>2</sup> )
ZZ-0332-4h	116	75	37	251	187	6-16
ZZ-0432-4h	128	86	47	276	200	16-50



Appellation	Code	Normal current	Earth contact position	Normal voltage	Number of poles	Protection degree
Socket	ZZ-113X-4	16A	4h	100-130V~	2P+E	IP44
Socket	ZZ-123X-4	32A	4h	100-130V~	2P+E	IP44

(mm)	a	b	c	Cable nominal cross-section area (mm <sup>2</sup> )
ZZ-113X-4	104	80	181	1-2.5
ZZ-123X-4	114	80	192	2.5-6



Appellation	Code	Normal current	Earth contact position	Normal voltage	Number of poles	Protection degree
Plug	ZZ-0332	63A	6h	220-250V~	2P+E	IP67
Plug	ZZ-0432	125A	6h	220-250V~	2P+E	IP67

(mm)	a	b	Φc	d	e	Cable nominal cross-section area (mm <sup>2</sup> )
ZZ-0332	120	75	37	251	195	6-16
ZZ-0432	128	86	50	270	216	16-50



Appellation	Code	Normal current	Earth contact position	Normal voltage	Number of poles	Protection degree
Socket	ZZ-113X	16A	6h	220-250V~	2P+E	IP44
Socket	ZZ-123X	32A	6h	220-250V~	2P+E	IP44

(mm)	a	b	c	Cable nominal cross-section area (mm <sup>2</sup> )
ZZ-113X	104	80	181	1-2.5
ZZ-123X	114	80	192	2.5-6



Appellation	Code	Normal current	Earth contact position	Normal voltage	Number of poles	Protection degree
Plug	ZZ-0342	63A	6h	380-415V~	3P+E	IP67
Plug	ZZ-0442	125A	6h	380-415V~	3P+E	IP67

(mm)	a	b	Φc	d	e	Cable nominal cross-section area (mm <sup>2</sup> )
ZZ-0342	116	75	37	251	187	6-16
ZZ-0442	128	86	47	276	200	16-50



Appellation	Code	Normal current	Earth contact position	Normal voltage	Number of poles	Protection degree
Socket	ZZ-114X	16A	6h	380-415V~	3P+E	IP44
Socket	ZZ-124X	32A	6h	380-415V~	3P+E	IP44

(mm)	a	b	c	Cable nominal cross-section area (mm <sup>2</sup> )
ZZ-114X	110	80	181	1-2.5
ZZ-124X	114	80	192	2.5-6



Appellation	Code	Normal current	Earth contact position	Normal voltage	Number of poles	Protection degree
Plug	ZZ-0352	63A	6h	220-380V~ 240-415V~	3P+N+E	IP67
Plug	ZZ-0452	125A	6h	220-380V~ 240-415V~	3P+N+E	IP67

(mm)	a	b	Φc	d	e	Cable nominal cross-section area (mm <sup>2</sup> )
ZZ-0352	116	75	37	251	187	6-16
ZZ-0452	128	86	47	276	200	16-50

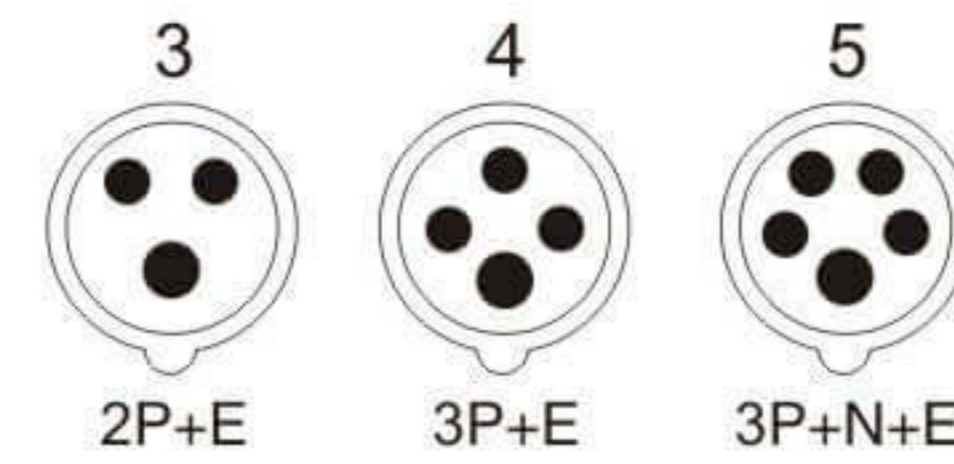


Appellation	Code	Normal current	Earth contact position	Normal voltage	Number of poles	Protection degree
Socket	ZZ-115X	16A	6h	220-380V~ 240-415V~	3P+N+E	IP44
Socket	ZZ-125X	32A	6h	220-380V~ 240-415V~	3P+N+E	IP44

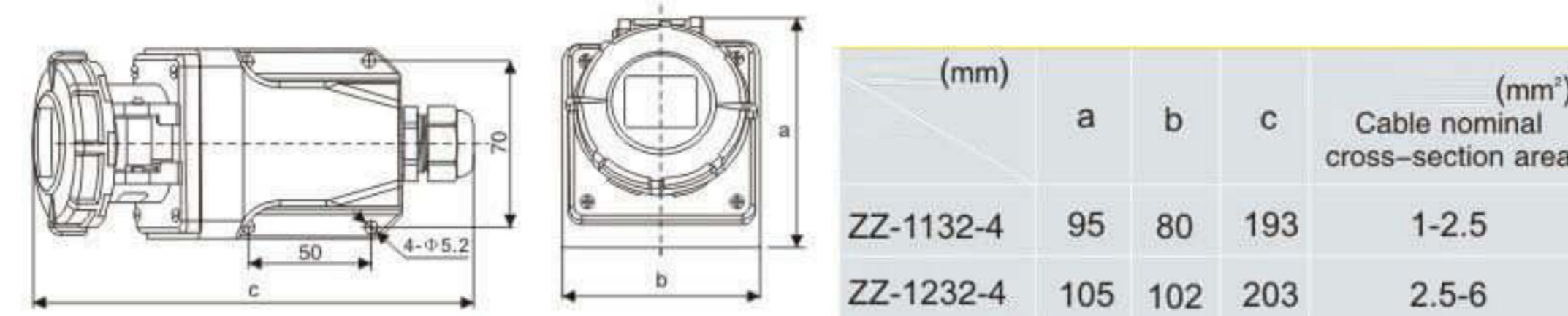
(mm)	a	b	c	Cable nominal cross-section area (mm <sup>2</sup> )
ZZ-115X	110	80	181	1-2.5
ZZ-125X	114	80	192	2.5-6

## Industrial plugs, sockets, couplers (connectors) for the world

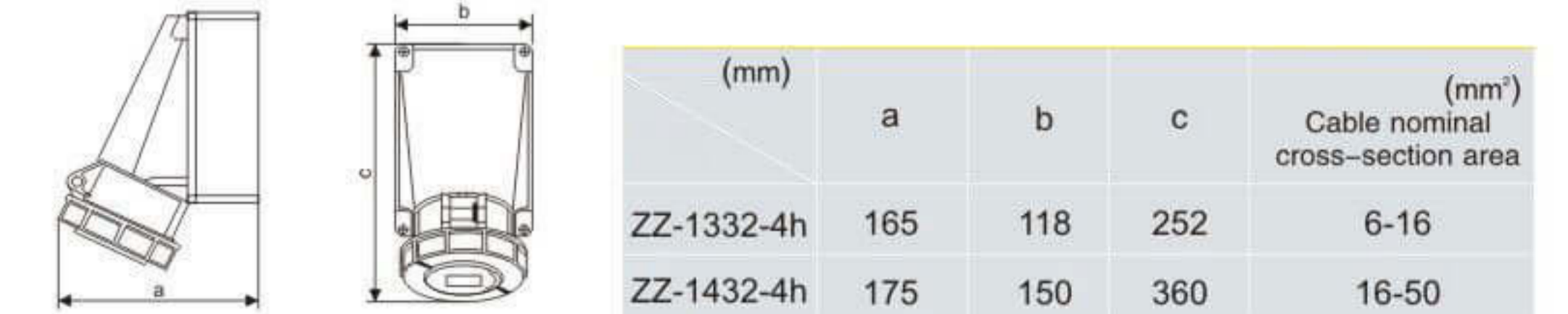
◆Products that meet the German industry standard DIN VDE 0623, European / International Standard EN/IEC 60309-1/2 For other voltages and frequencies, please contact us for further information.



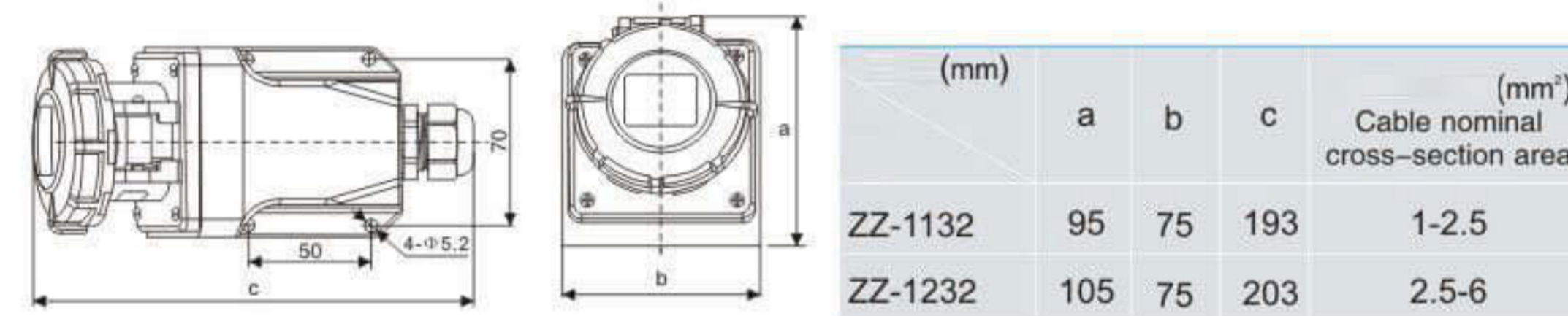
Appellation	Code	Normal current	Earth contact position	Normal voltage	Number of poles	Protection degree
Socket	ZZ-1132-4	16A	4h	100-130V~	2P+E	IP67
Socket	ZZ-1232-4	32A	4h	100-130V~	2P+E	IP67



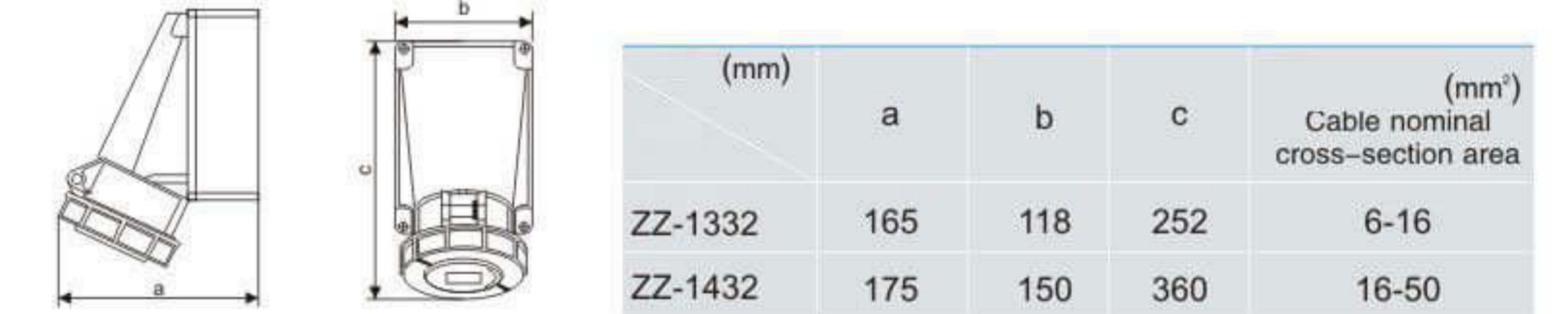
Appellation	Code	Normal current	Earth contact position	Normal voltage	Number of poles	Protection degree
Socket	ZZ-1332-4h	63A	4h	100-130V~	2P+E	IP67
Socket	ZZ-1432-4h	125A	4h	100-130V~	2P+E	IP67



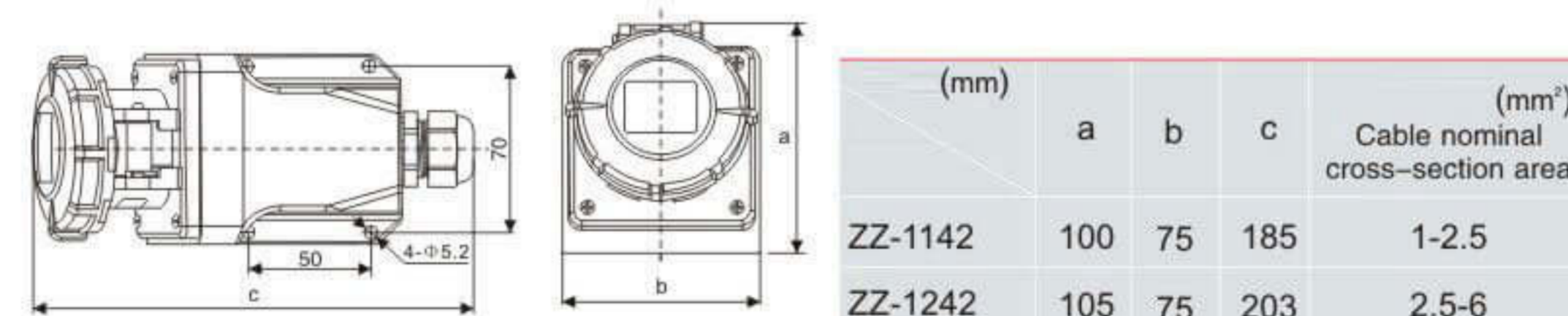
Appellation	Code	Normal current	Earth contact position	Normal voltage	Number of poles	Protection degree
Socket	ZZ-1132	16A	6h	220-250V~	2P+E	IP67
Socket	ZZ-1232	32A	6h	220-250V~	2P+E	IP67



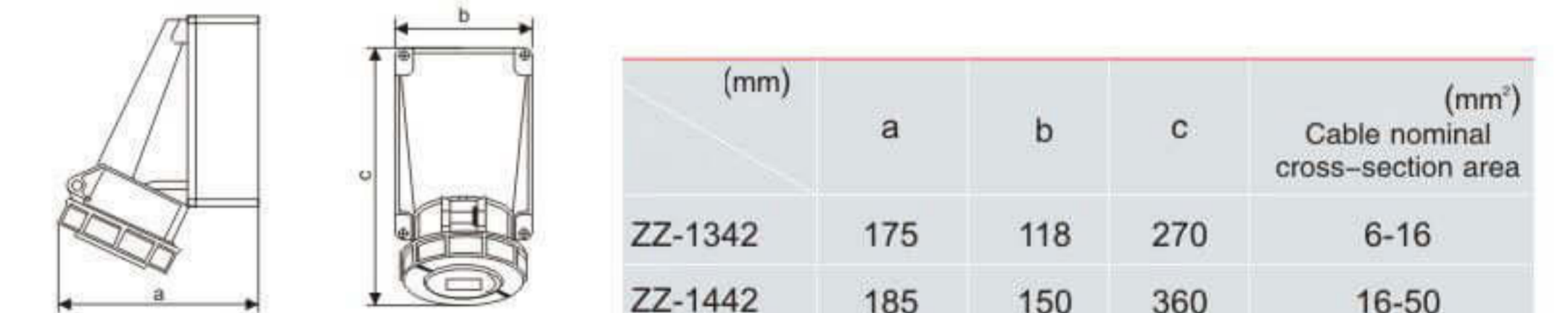
Appellation	Code	Normal current	Earth contact position	Normal voltage	Number of poles	Protection degree
Socket	ZZ-1332	63A	6h	220-250V~	2P+E	IP67
Socket	ZZ-1432	125A	6h	220-250V~	2P+E	IP67



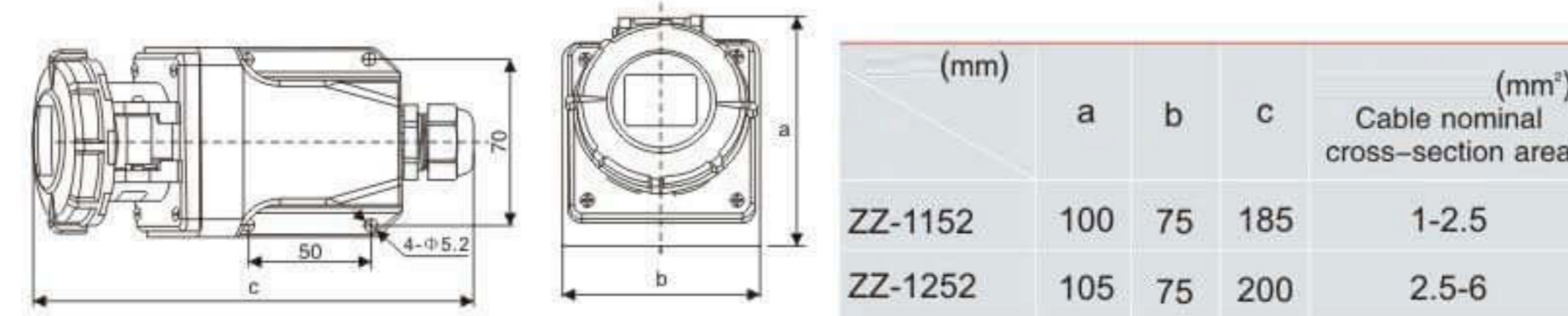
Appellation	Code	Normal current	Earth contact position	Normal voltage	Number of poles	Protection degree
Socket	ZZ-1142	16A	6h	380-415V~	3P+E	IP67
Socket	ZZ-1242	32A	6h	380-415V~	3P+E	IP67



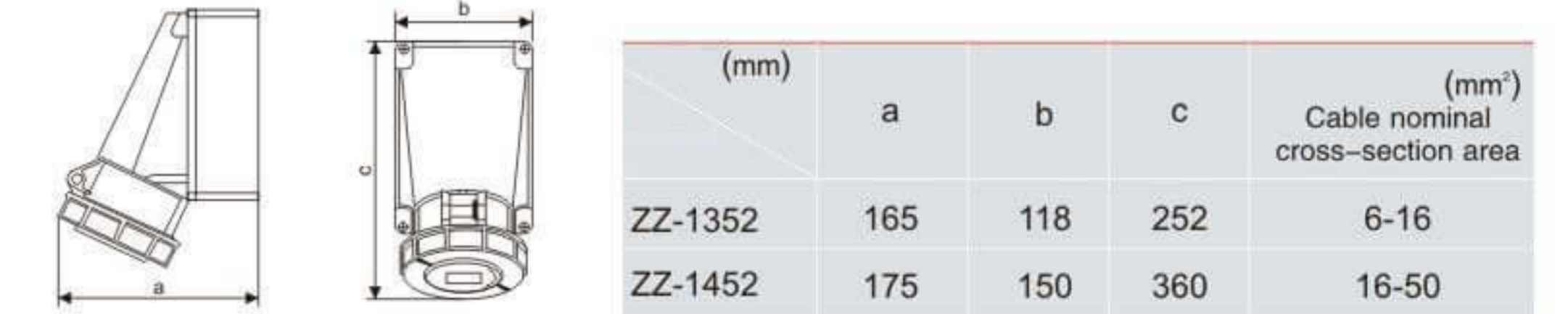
Appellation	Code	Normal current	Earth contact position	Normal voltage	Number of poles	Protection degree
Socket	ZZ-1342	63A	6h	380-415V~	3P+E	IP67
Socket	ZZ-1442	125A	6h	380-415V~	3P+E	IP67



Appellation	Code	Normal current	Earth contact position	Normal voltage	Number of poles	Protection degree
Socket	ZZ-1152	16A	6h	220-380V~ 240-415V~	3P+N+E	IP67
Socket	ZZ-1252	32A	6h	220-380V~ 240-415V~	3P+N+E	IP67

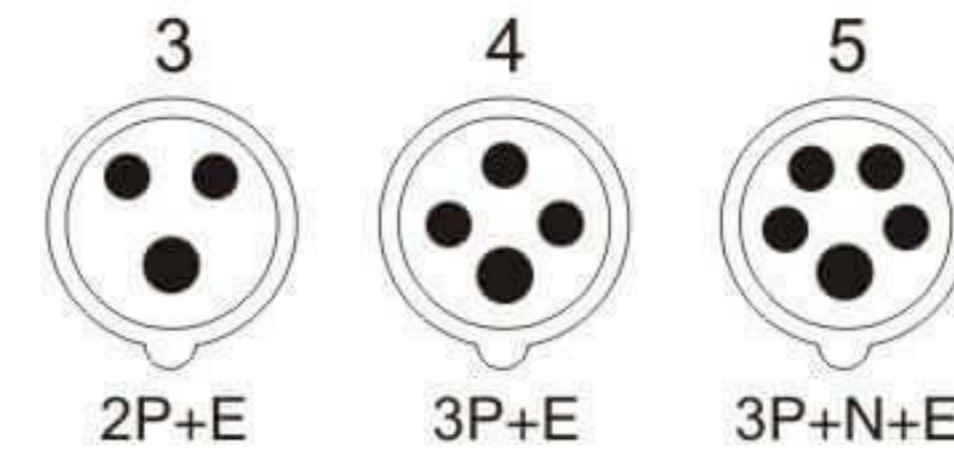


Appellation	Code	Normal current	Earth contact position	Normal voltage	Number of poles	Protection degree
Socket	ZZ-1352	63A	6h	220-380V~ 240-415V~	3P+N+E	IP67
Socket	ZZ-1452	125A	6h	220-380V~ 240-415V~	3P+N+E	IP67

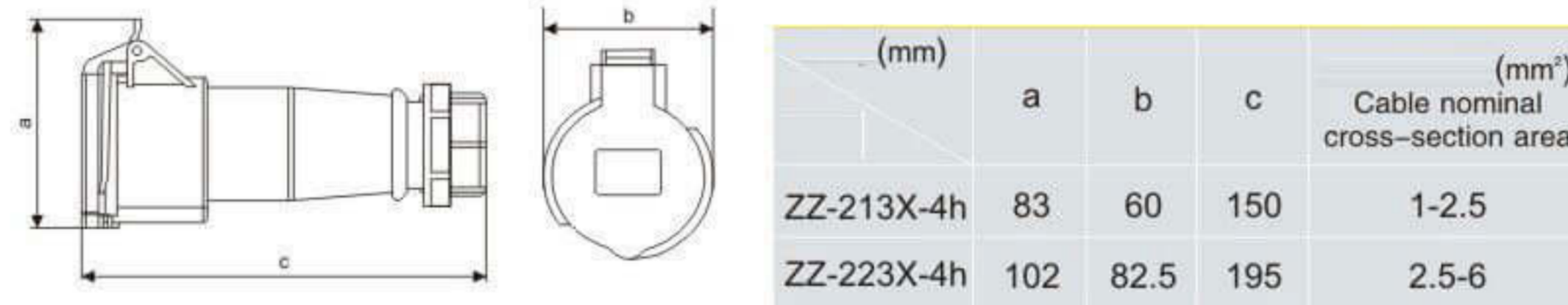


Industrial plugs, sockets,  
couplers (connectors) for the world

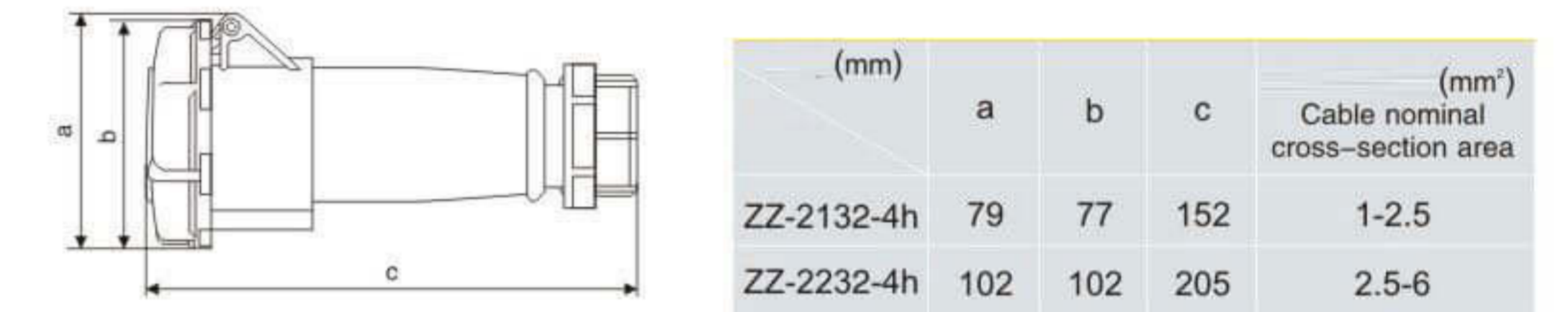
◆Products that meet the German industry standard DIN VDE 0623, European / International Standard EN/IEC 60309-1/2 For other voltages and frequencies, please contact us for further information.



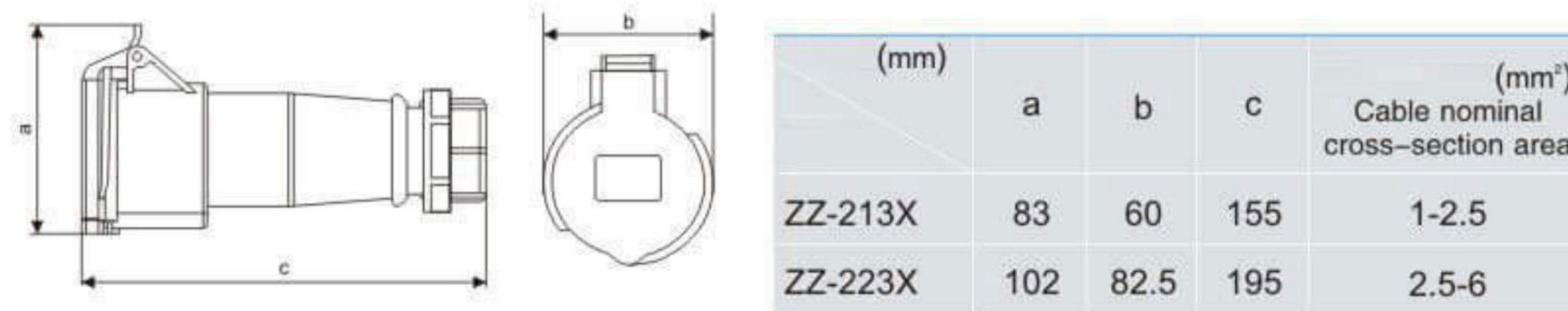
Appellation	Code	Normal current	Earth contact position	Normal voltage	Number of poles	Protection degree
Coupler	ZZ-213X-4h	16A	4h	100-130V~	2P+E	IP44
Coupler	ZZ-223X-4h	32A	4h	100-130V~	2P+E	IP44



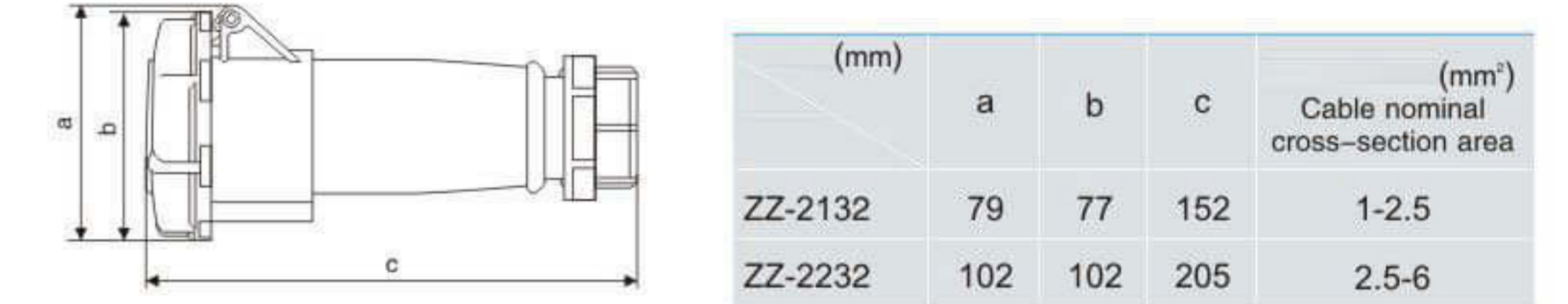
Appellation	Code	Normal current	Earth contact position	Normal voltage	Number of poles	Protection degree
Coupler	ZZ-2132-4h	16A	4h	100-130V~	2P+E	IP67
Coupler	ZZ-2232-4h	32A	4h	100-130V~	2P+E	IP67



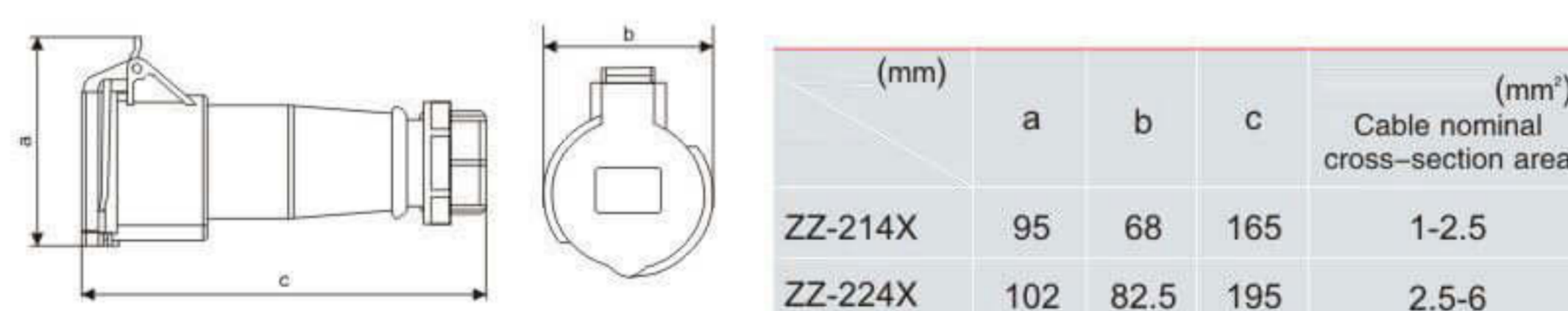
Appellation	Code	Normal current	Earth contact position	Normal voltage	Number of poles	Protection degree
Coupler	ZZ-213X	16A	6h	220-250V~	2P+E	IP44
Coupler	ZZ-223X	32A	6h	220-250V~	2P+E	IP44



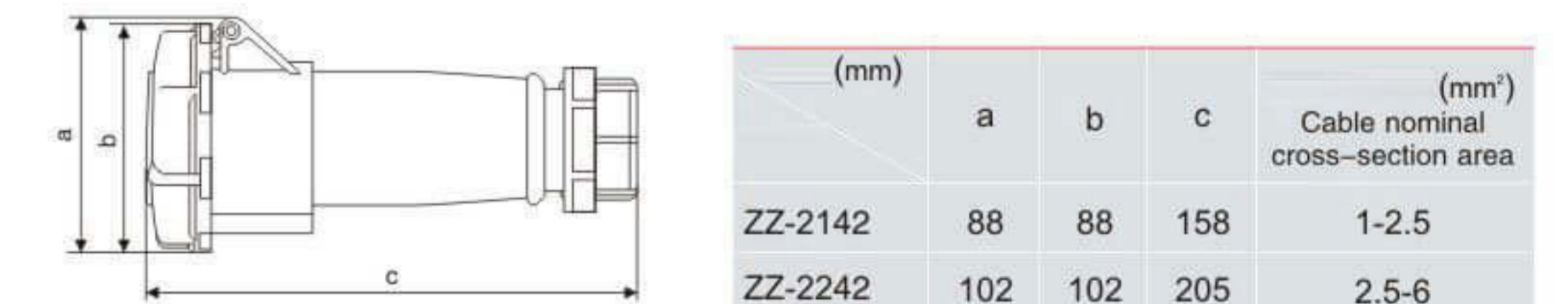
Appellation	Code	Normal current	Earth contact position	Normal voltage	Number of poles	Protection degree
Coupler	ZZ-2132	16A	6h	220-250V~	2P+E	IP67
Coupler	ZZ-2232	32A	6h	220-250V~	2P+E	IP67



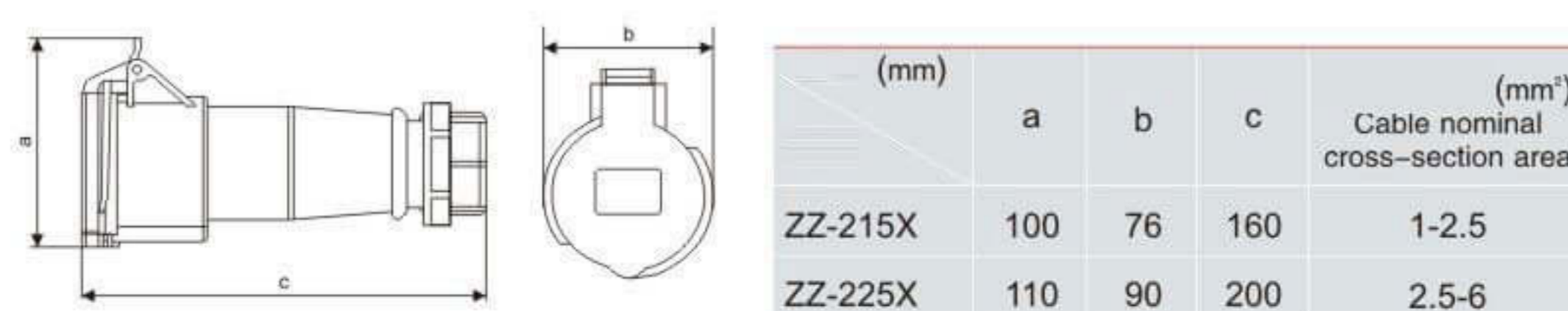
Appellation	Code	Normal current	Earth contact position	Normal voltage	Number of poles	Protection degree
Coupler	ZZ-214X	16A	6h	380-415V~	3P+E	IP44
Coupler	ZZ-224X	32A	6h	380-415V~	3P+E	IP44



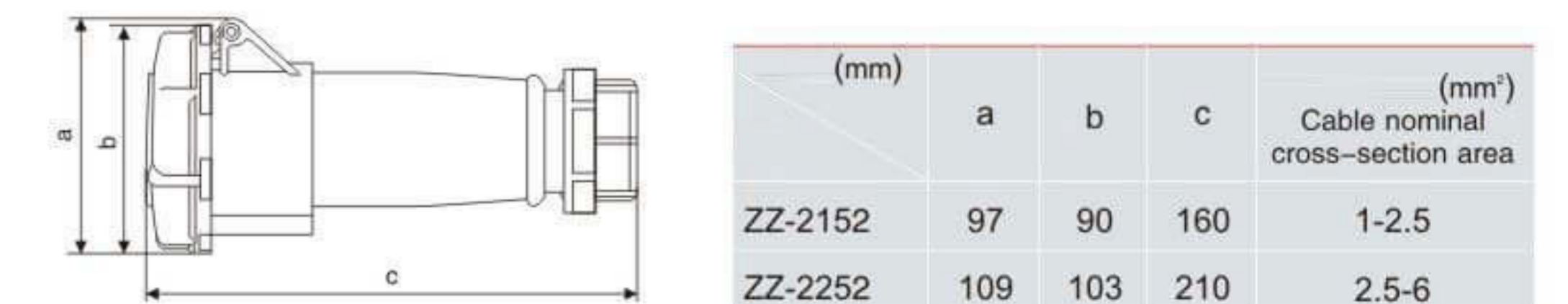
Appellation	Code	Normal current	Earth contact position	Normal voltage	Number of poles	Protection degree
Coupler	ZZ-2142	16A	6h	380-415V~	3P+E	IP67
Coupler	ZZ-2242	32A	6h	380-415V~	3P+E	IP67



Appellation	Code	Normal current	Earth contact position	Normal voltage	Number of poles	Protection degree
Coupler	ZZ-215X	16A	6h	220-380V~ 240-415V~	3P+N+E	IP44
Coupler	ZZ-225X	32A	6h	220-380V~ 240-415V~	3P+N+E	IP44

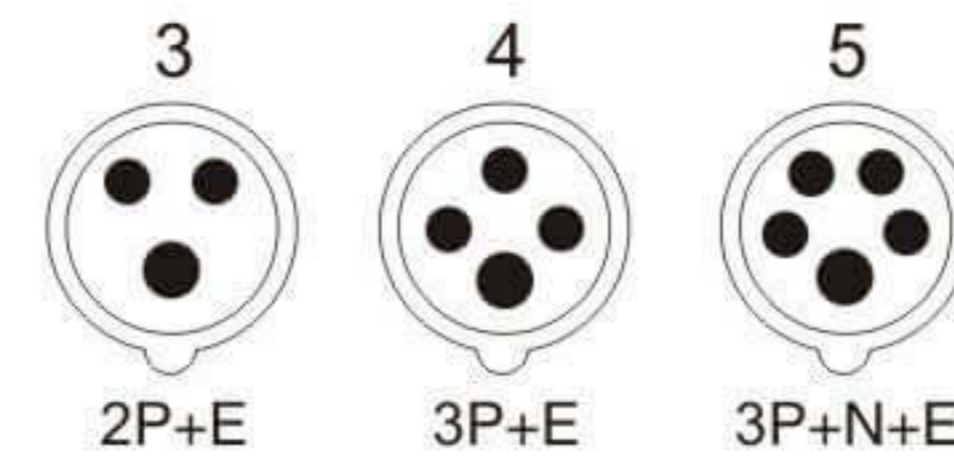


Appellation	Code	Normal current	Earth contact position	Normal voltage	Number of poles	Protection degree
Coupler	ZZ-2152	16A	6h	220-380V~ 240-415V~	3P+N+E	IP67
Coupler	ZZ-2252	32A	6h	220-380V~ 240-415V~	3P+N+E	IP67



Industrial plugs, sockets, couplers (connectors) for the world

◆Products that meet the German industry standard DIN VDE 0623, European / International Standard EN/IEC 60309-1/2 For other voltages and frequencies, please contact us for further information.



Appellation	Code	Normal current	Earth contact position	Normal voltage	Number of poles	Protection degree
Coupler	ZZ-2332-4h	63A	4h	100-130V~	2P+E	IP67
Coupler	ZZ-2432-4h	125A	4h	100-130V~	2P+E	IP67

	(mm)				Cable nominal cross-section area (mm <sup>2</sup> )
	a	b	Φc	d	
ZZ-2332-4h	114	117	37	270	6-16
ZZ-2432-4h	115	130	47	305	16-50



Appellation	Code	Normal current	Earth contact position	Normal voltage	Number of poles	Protection degree
Socket	ZZ-313X-4	16A	4h	100-130V~	2P+E	IP44
Socket	ZZ-323X-4	32A	4h	100-130V~	2P+E	IP44

	(mm)			Cable nominal cross-section area (mm <sup>2</sup> )
	a	b	c	
ZZ-313X-4	93	51.5	34	1-2.5
ZZ-323X-4	103	58	39	2.5-6



Appellation	Code	Normal current	Earth contact position	Normal voltage	Number of poles	Protection degree
Coupler	ZZ-2332	63A	6h	220-250V~	2P+E	IP67
Coupler	ZZ-2432	125A	6h	220-250V~	2P+E	IP67

	(mm)				Cable nominal cross-section area (mm <sup>2</sup> )
	a	b	c	d	
ZZ-2332	114	117	37	270	6-16
ZZ-2432	115	130	47	305	16-50



Appellation	Code	Normal current	Earth contact position	Normal voltage	Number of poles	Protection degree
Socket	ZZ-313X	16A	4h	220-250V~	2P+E	IP44
Socket	ZZ-323X	32A	4h	220-250V~	2P+E	IP44

	(mm)			Cable nominal cross-section area (mm <sup>2</sup> )
	a	b	c	
ZZ-313X	93	51.5	34	1-2.5
ZZ-323X	103	58	39	2.5-6



Appellation	Code	Normal current	Earth contact position	Normal voltage	Number of poles	Protection degree
Coupler	ZZ-2342	63A	6h	380-415V~	3P+E	IP67
Coupler	ZZ-2442	125A	6h	380-415V~	3P+E	IP67

	(mm)				Cable nominal cross-section area (mm <sup>2</sup> )
	a	b	c	d	
ZZ-2342	114	117	37	270	6-16
ZZ-2442	115	130	47	305	16-50



Appellation	Code	Normal current	Earth contact position	Normal voltage	Number of poles	Protection degree
Socket	ZZ-314X	16A	6h	380-415V~	3P+E	IP44
Socket	ZZ-324X	32A	6h	380-415V~	3P+E	IP44

	(mm)			Cable nominal cross-section area (mm <sup>2</sup> )
	a	b	c	
ZZ-314X	100	51.5	34	1-2.5
ZZ-324X	103	58	39	2.5-6



Appellation	Code	Normal current	Earth contact position	Normal voltage	Number of poles	Protection degree
Coupler	ZZ-2352	63A	6h	220-380V~ 240-415V~	3P+N+E	IP67
Coupler	ZZ-2452	125A	6h	220-380V~ 240-415V~	3P+N+E	IP67

	(mm)				Cable nominal cross-section area (mm <sup>2</sup> )
	a	b	c	d	
ZZ-2352	114	117	37	270	6-16
ZZ-2452	115	130	47	305	16-50

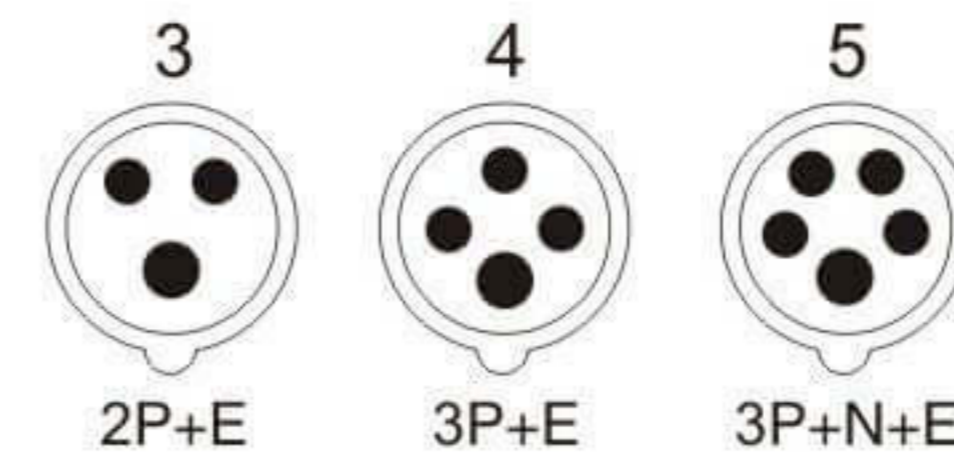


Appellation	Code	Normal current	Earth contact position	Normal voltage	Number of poles	Protection degree
Socket	ZZ-315X	16A	6h	220-380V~ 240-415V~	3P+N+E	IP44
Socket	ZZ-325X	32A	6h	220-380V~ 240-415V~	3P+N+E	IP44

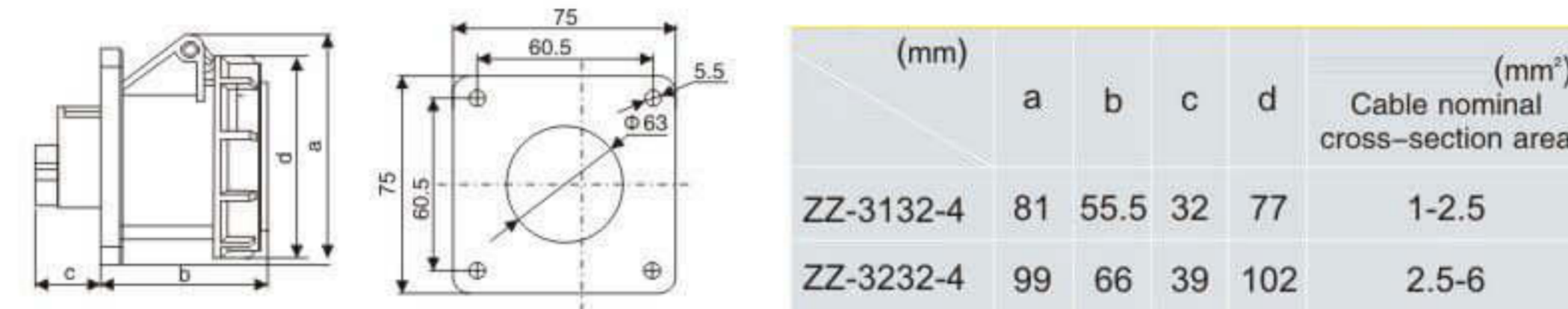
	(mm)			Cable nominal cross-section area (mm <sup>2</sup> )
	a	b	c	
ZZ-315X	101	51.5	34	1-2.5
ZZ-325X	110	58	39	2.5-6

## Industrial plugs, sockets, couplers (connectors) for the world

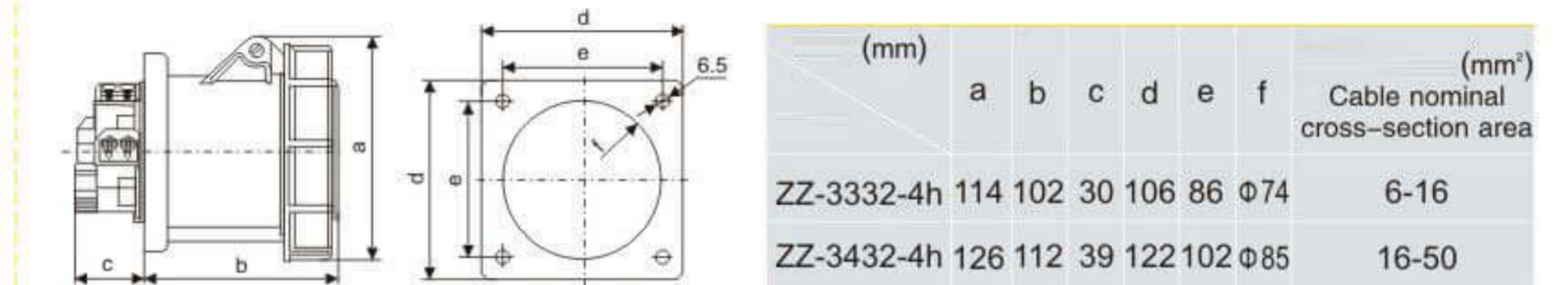
◆Products that meet the German industry standard DIN VDE 0623, European / International Standard EN/IEC 60309-1/2 For other voltages and frequencies, please contact us for further information.



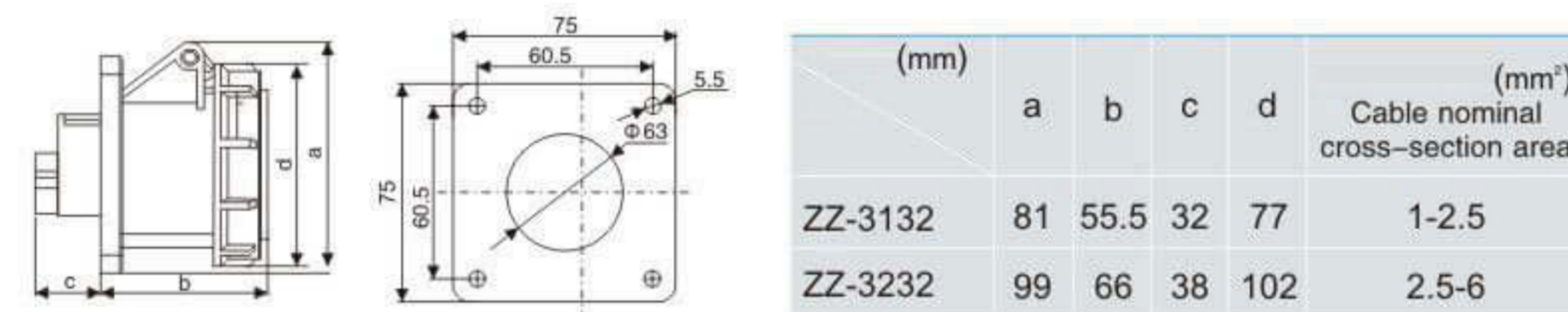
Appellation	Code	Normal current	Earth contact position	Normal voltage	Number of poles	Protection degree
Socket	ZZ-3132-4	16A	4h	100-130V~	2P+E	IP67
Socket	ZZ-3232-4	32A	4h	100-130V~	2P+E	IP67



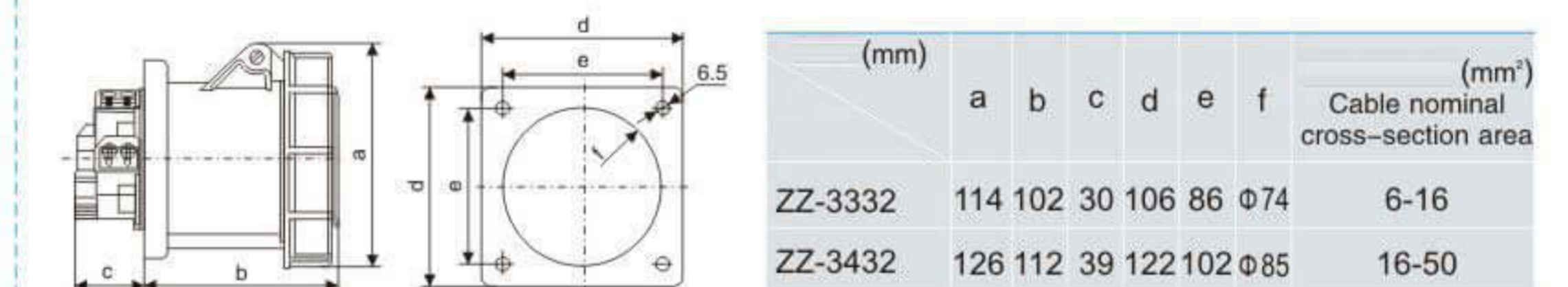
Appellation	Code	Normal current	Earth contact position	Normal voltage	Number of poles	Protection degree
Socket	ZZ-3332-4h	63A	4h	100-130V~	2P+E	IP67
Socket	ZZ-3432-4h	125A	4h	100-130V~	2P+E	IP67



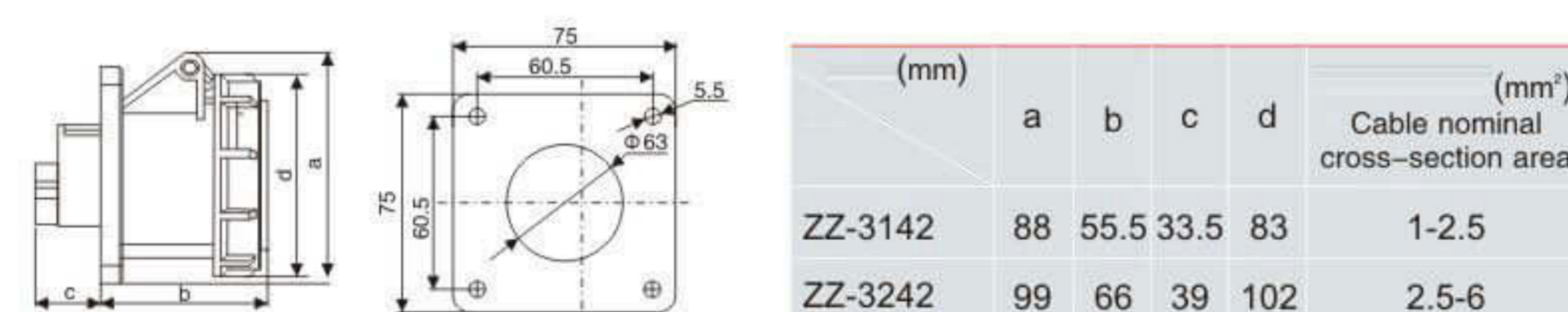
Appellation	Code	Normal current	Earth contact position	Normal voltage	Number of poles	Protection degree
Socket	ZZ-3132	16A	6h	220-250V~	2P+E	IP67
Socket	ZZ-3232	32A	6h	220-250V~	2P+E	IP67



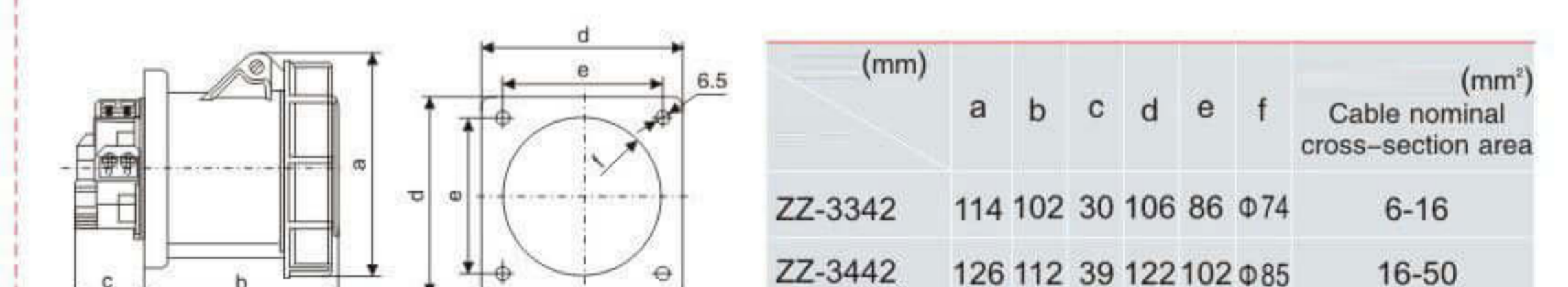
Appellation	Code	Normal current	Earth contact position	Normal voltage	Number of poles	Protection degree
Socket	ZZ-3332	63A	6h	220-250V~	2P+E	IP67
Socket	ZZ-3432	125A	6h	220-250V~	2P+E	IP67



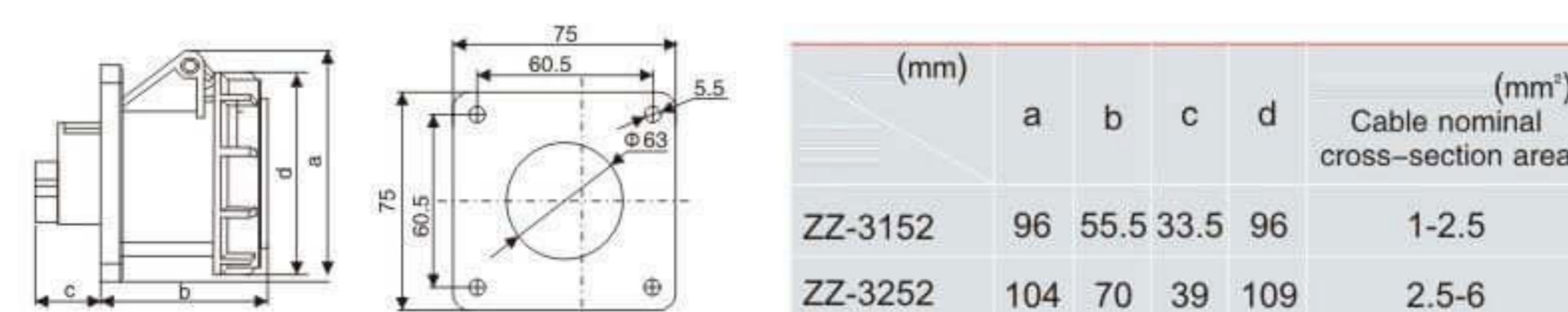
Appellation	Code	Normal current	Earth contact position	Normal voltage	Number of poles	Protection degree
Socket	ZZ-3142	16A	6h	380-415V~	3P+E	IP67
Socket	ZZ-3242	32A	6h	380-415V~	3P+E	IP67



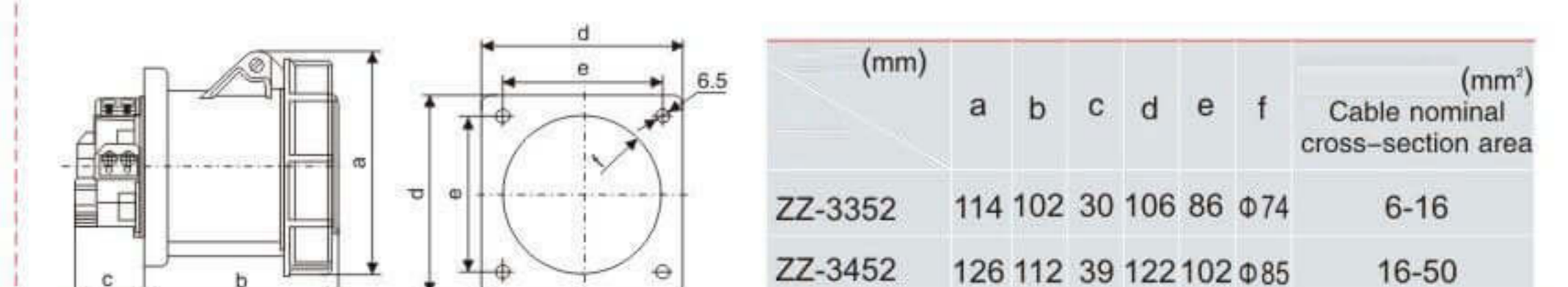
Appellation	Code	Normal current	Earth contact position	Normal voltage	Number of poles	Protection degree
Socket	ZZ-3342	63A	6h	380-415V~	3P+E	IP67
Socket	ZZ-3442	125A	6h	380-415V~	3P+E	IP67



Appellation	Code	Normal current	Earth contact position	Normal voltage	Number of poles	Protection degree
Socket	ZZ-3152	16A	6h	220-380V~ 240-415V~	3P+N+E	IP67
Socket	ZZ-3252	32A	6h	220-380V~ 240-415V~	3P+N+E	IP67

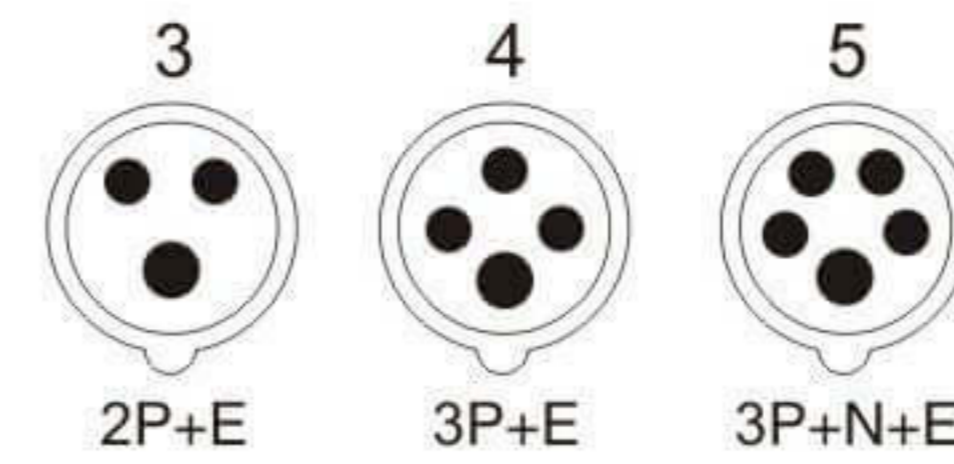


Appellation	Code	Normal current	Earth contact position	Normal voltage	Number of poles	Protection degree
Socket	ZZ-3352	63A	6h	220-380V~ 240-415V~	3P+N+E	IP67
Socket	ZZ-3452	125A	6h	220-380V~ 240-415V~	3P+N+E	IP67

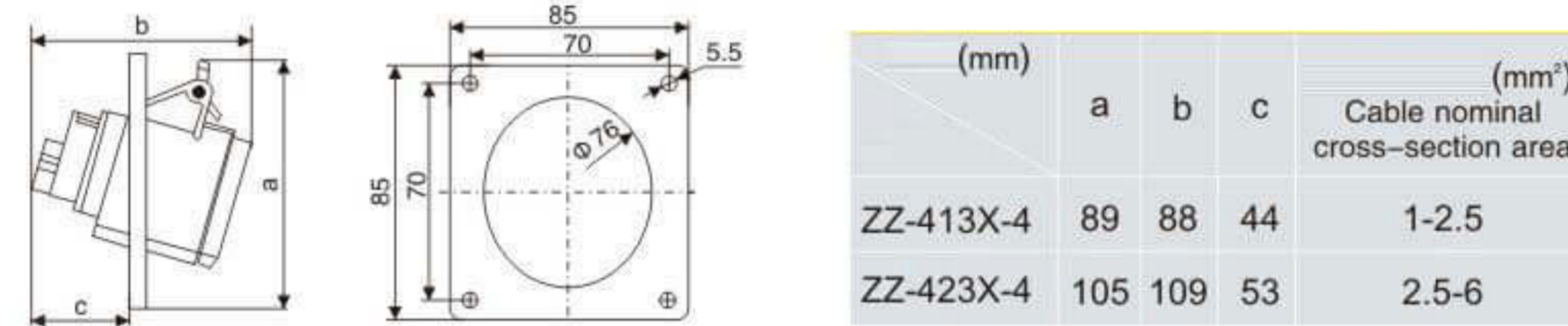


Industrial plugs, sockets, couplers (connectors) for the world

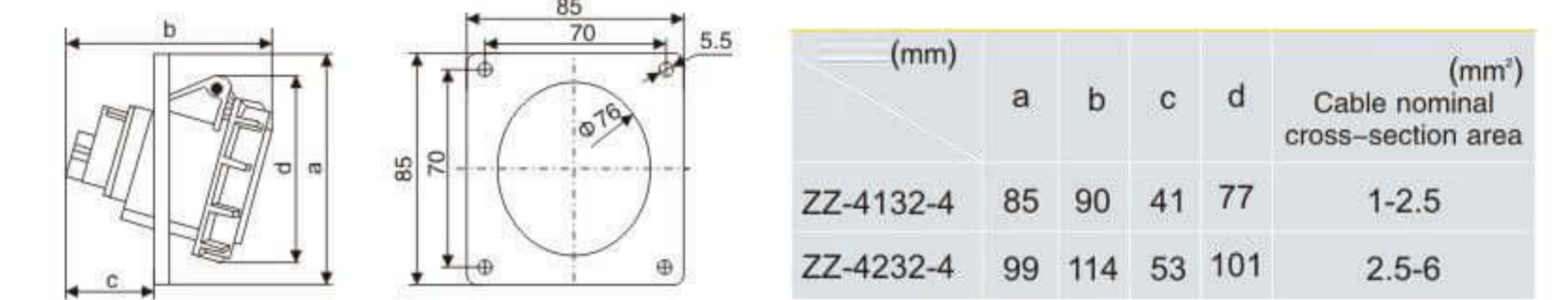
◆Products that meet the German industry standard DIN VDE 0623, European / International Standard EN/IEC 60309-1/2 For other voltages and frequencies, please contact us for further information.



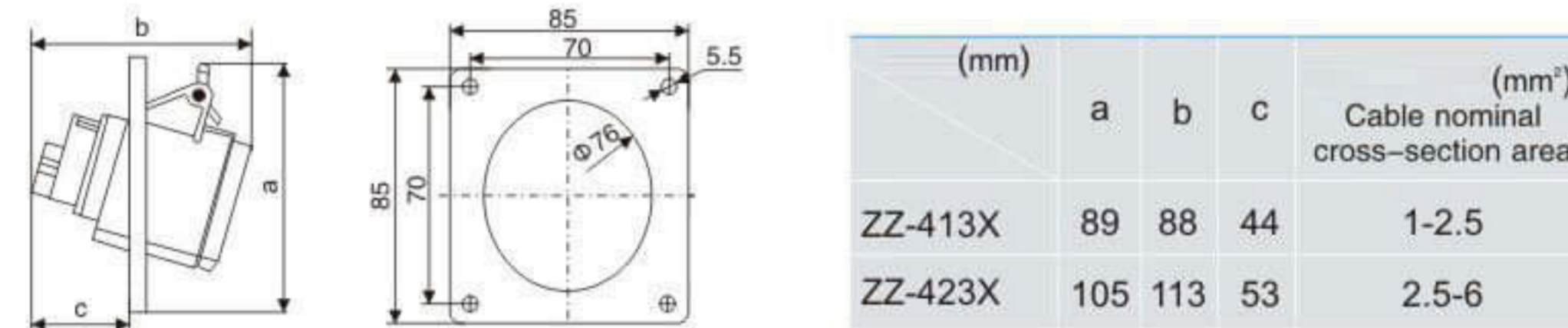
Appellation	Code	Normal current	Earth contact position	Normal voltage	Number of poles	Protection degree
Socket	ZZ-413X-4	16A	4h	100-130V~	2P+E	IP44
Socket	ZZ-423X-4	32A	4h	100-130V~	2P+E	IP44



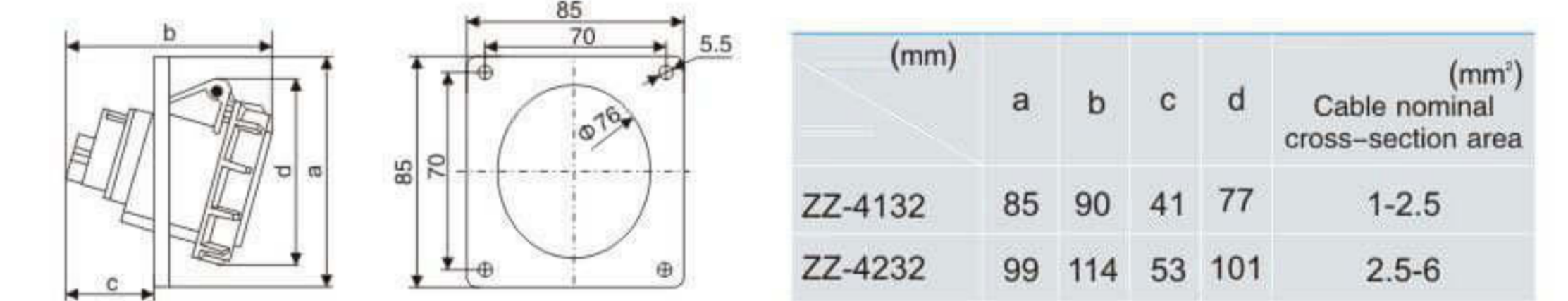
Appellation	Code	Normal current	Earth contact position	Normal voltage	Number of poles	Protection degree
Socket	ZZ-4132-4	16A	4h	100-130V~	2P+E	IP67
Socket	ZZ-4232-4	32A	4h	100-130V~	2P+E	IP67



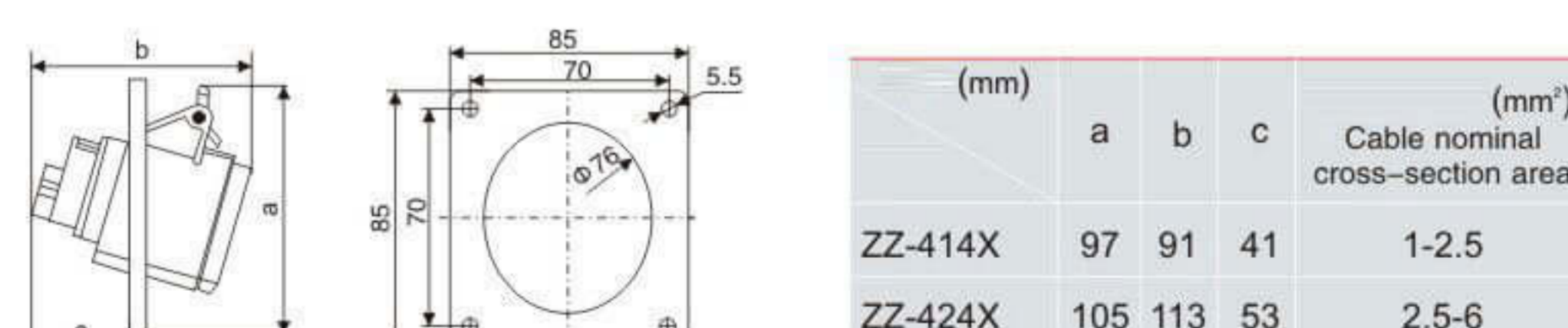
Appellation	Code	Normal current	Earth contact position	Normal voltage	Number of poles	Protection degree
Socket	ZZ-413X	16A	6h	220-250V~	2P+E	IP44
Socket	ZZ-423X	32A	6h	220-250V~	2P+E	IP44



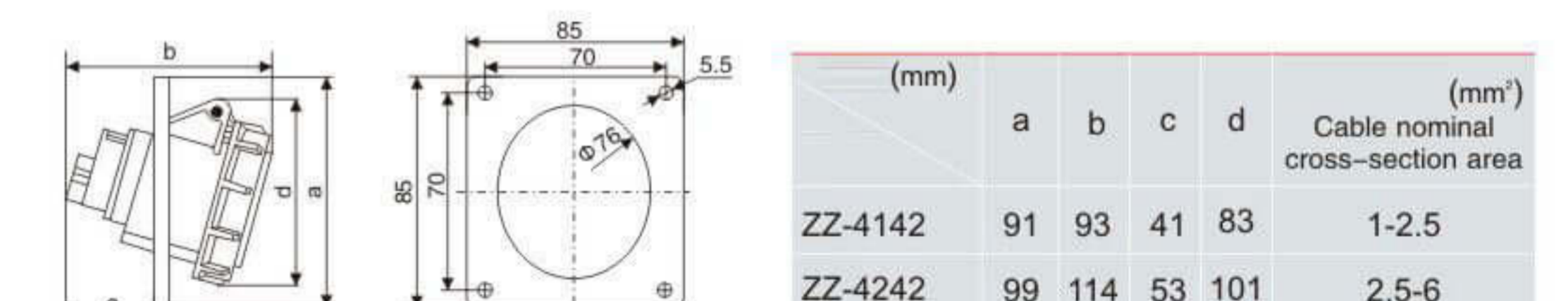
Appellation	Code	Normal current	Earth contact position	Normal voltage	Number of poles	Protection degree
Socket	ZZ-4132	16A	6h	220-250V~	2P+E	IP67
Socket	ZZ-4232	32A	6h	220-250V~	2P+E	IP67



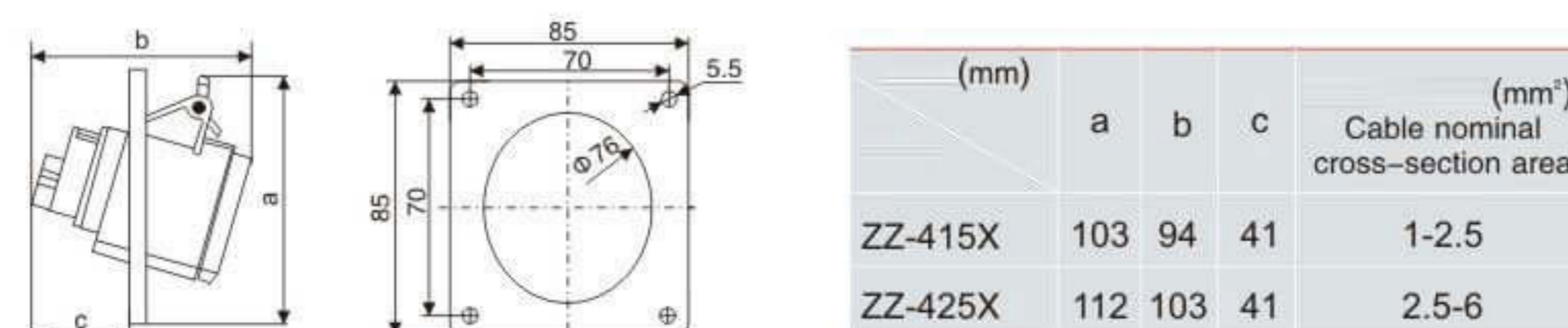
Appellation	Code	Normal current	Earth contact position	Normal voltage	Number of poles	Protection degree
Socket	ZZ-414X	16A	6h	380-415V~	3P+E	IP44
Socket	ZZ-424X	32A	6h	380-415V~	3P+E	IP44



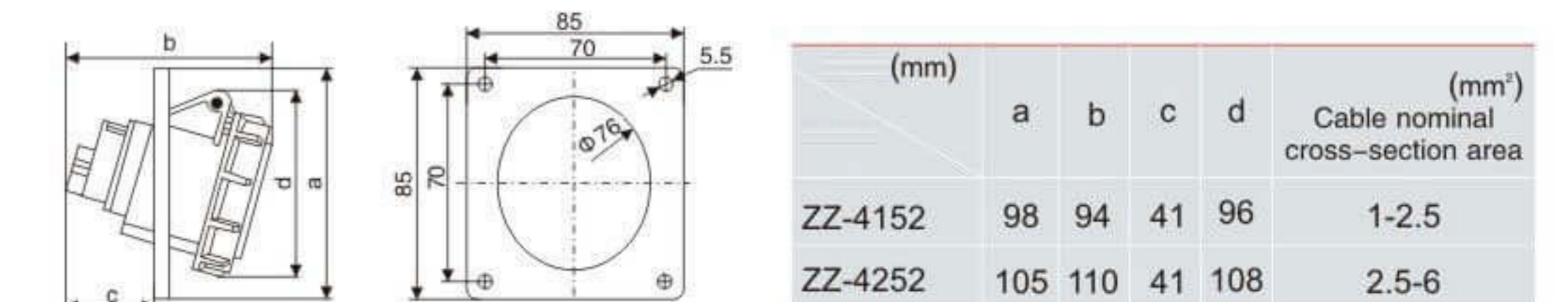
Appellation	Code	Normal current	Earth contact position	Normal voltage	Number of poles	Protection degree
Socket	ZZ-4142	16A	6h	380-415V~	3P+E	IP67
Socket	ZZ-4242	32A	6h	380-415V~	3P+E	IP67



Appellation	Code	Normal current	Earth contact position	Normal voltage	Number of poles	Protection degree
Socket	ZZ-415X	16A	6h	220-380V~ 240-415V~	3P+N+E	IP44
Socket	ZZ-425X	32A	6h	220-380V~ 240-415V~	3P+N+E	IP44



Appellation	Code	Normal current	Earth contact position	Normal voltage	Number of poles	Protection degree
Socket	ZZ-4152	16A	6h	220-380V~ 240-415V~	3P+N+E	IP67
Socket	ZZ-4252	32A	6h	220-380V~ 240-415V~	3P+N+E	IP67

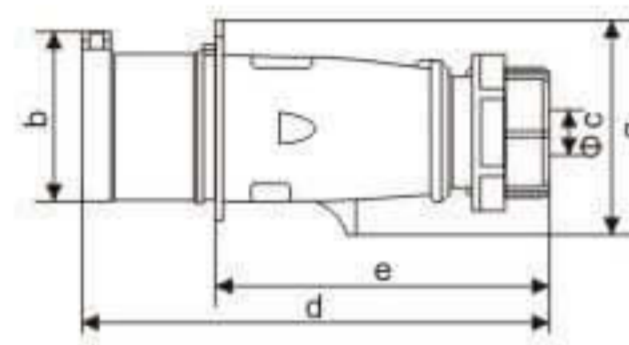


Industrial plugs, sockets, couplers (connectors) for the world

Plugs And Connectors For Stage



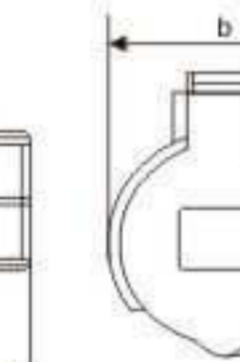
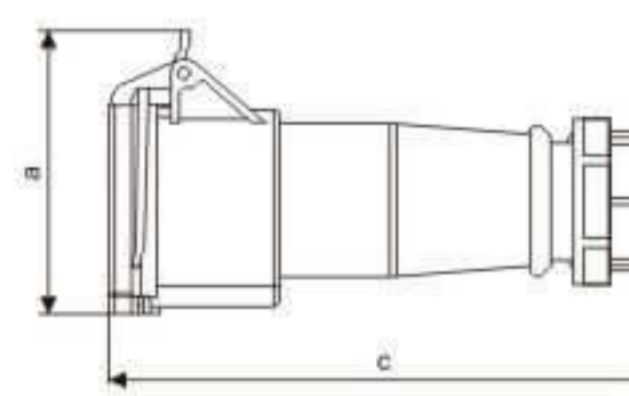
Appellation	Code	Normal current	Earth contact position	Normal voltage	Number of poles	Protection degree
Plug	ZZ-013X	16A	6h	220-250V~	2P+E	IP44



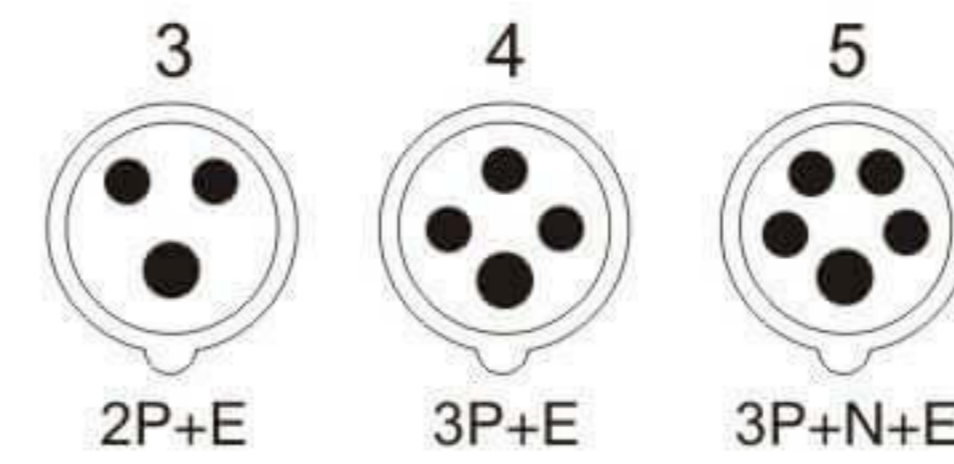
(mm)		a	b	Φc	d	e	(mm <sup>2</sup> ) Cable nominal cross-section area
ZZ-013X		58	47	7-15	135	104	1-2.5



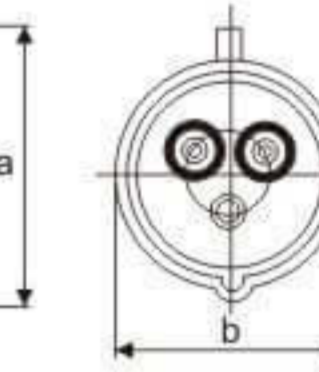
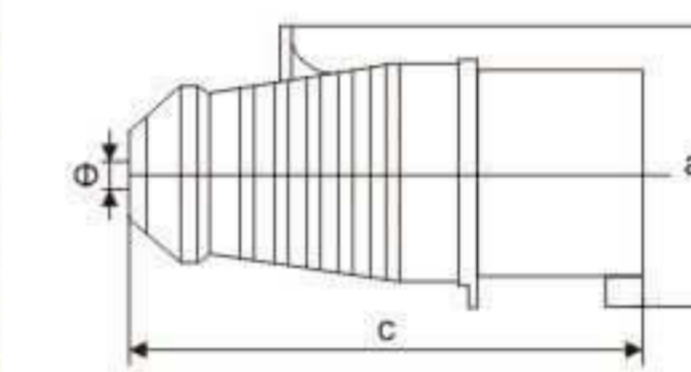
Appellation	Code	Normal current	Earth contact position	Normal voltage	Number of poles	Protection degree
Coupler	ZZ-213X	16A	6h	220-250V~	2P+E	IP44



(mm)		a	b	c	(mm <sup>2</sup> ) Cable nominal cross-section area
ZZ-213X		83	60	155	1-2.5



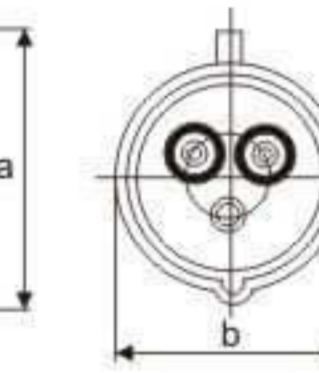
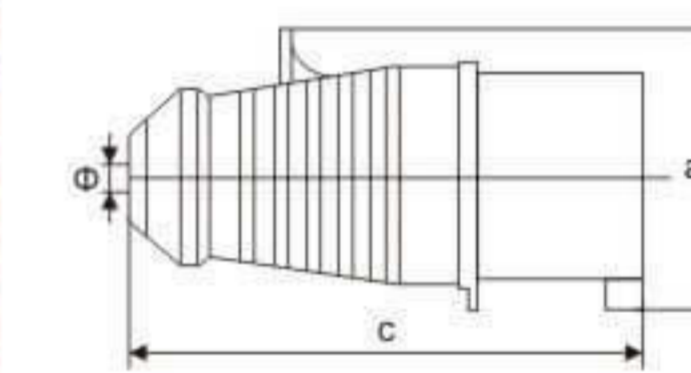
Appellation	Code	Normal current	Earth contact position	Normal voltage	Number of poles	Protection degree
Plug	ZZ-013-4	16A	4h	110-130V~	2P+E	IP44
Plug	ZZ-023-4	32A	4h	110-130V~	2P+E	IP44



(mm)		a	b	c	Φ	(mm <sup>2</sup> ) Cable nominal cross-section area
ZZ-013-4		59	51	122	6	1-2.5
ZZ-023-4		75	64	136	8	2.5-6



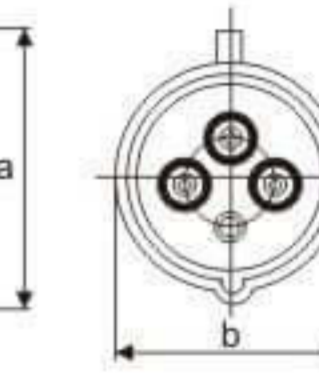
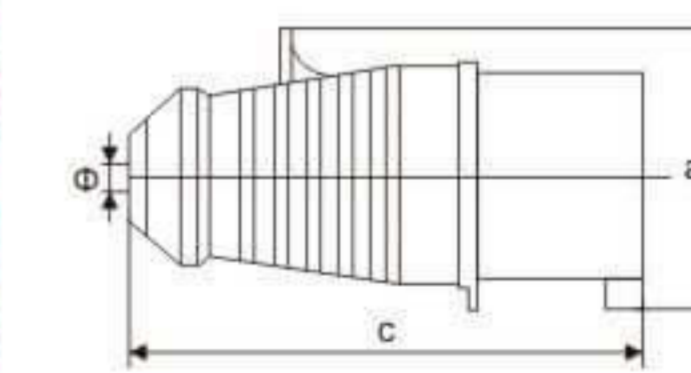
Appellation	Code	Normal current	Earth contact position	Normal voltage	Number of poles	Protection degree
插头 Plug	ZZ-013	16A	6h	220-250V~	2P+E	IP44
插头 Plug	ZZ-023	32A	6h	220-250V~	2P+E	IP44



(mm)		a	b	c	Φ	(mm <sup>2</sup> ) Cable nominal cross-section area
ZZ-013		59	51	122	6	1-2.5
ZZ-023		75	64	136	8	2.5-6



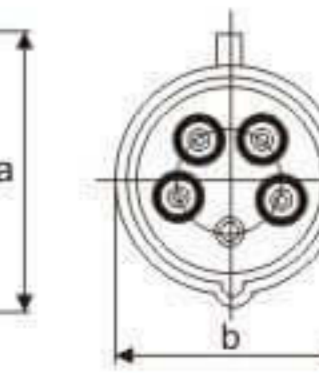
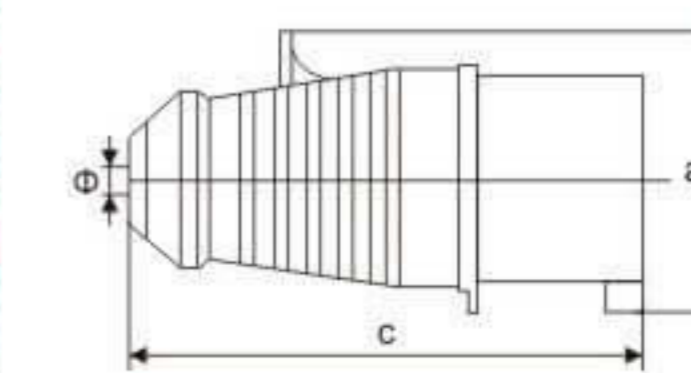
Code	Normal current	Earth contact position	Normal voltage	Number of poles	Protection degree
ZZ-014	16A	6h	380-415V~	3P+E	IP44
ZZ-024	32A	6h	380-415V~	3P+E	IP44



(mm)		a	b	c	Φ	(mm <sup>2</sup> ) Cable nominal cross-section area
ZZ-014		65	55	122	6	1-2.5
ZZ-024		75	64	136	8	2.5-6



Appellation	Code	Normal current	Earth contact position	Normal voltage	Number of poles	Protection degree
Plug	ZZ-015	16A	6h	220-380V~ 240-415V~	3P+N+E	IP44
Plug	ZZ-025	32A	6h	220-380V~ 240-415V~	3P+N+E	IP44

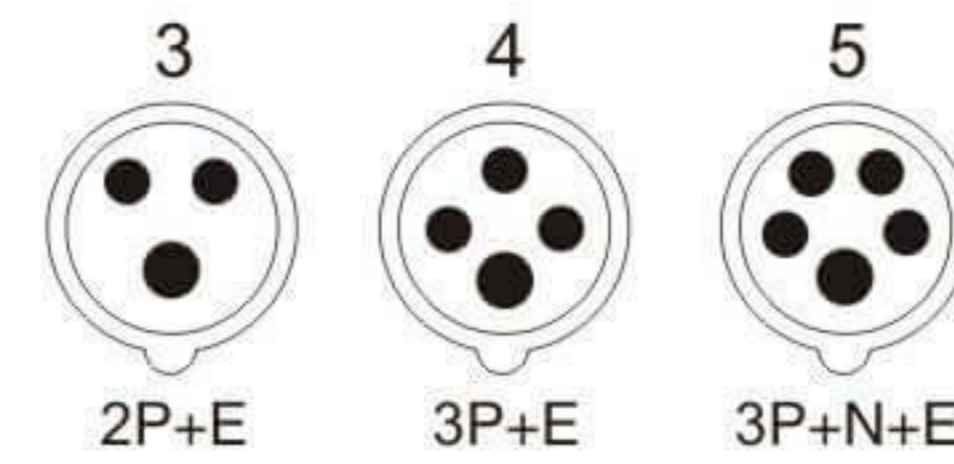


(mm)		a	b	c	Φ	(mm <sup>2</sup> ) Cable nominal cross-section area
ZZ-015		72	64	130	8	1-2.5
ZZ-025		84	70	143	8	2.5-6

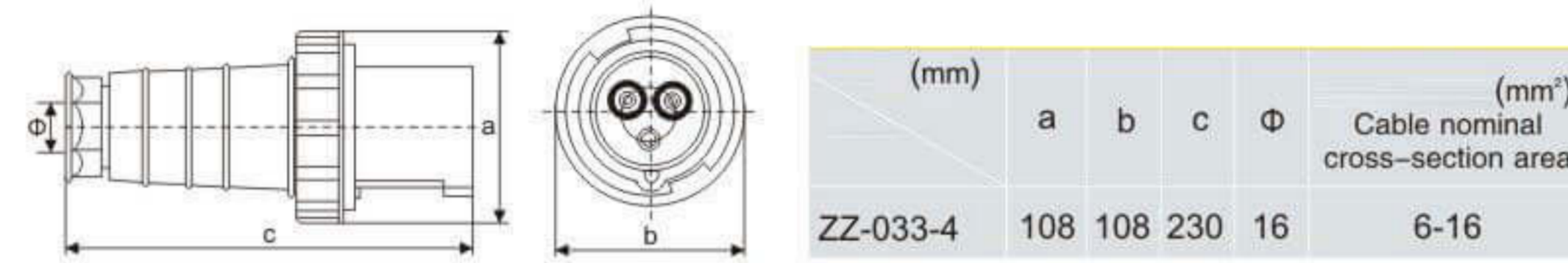


Industrial plugs, sockets, couplers (connectors) for the world

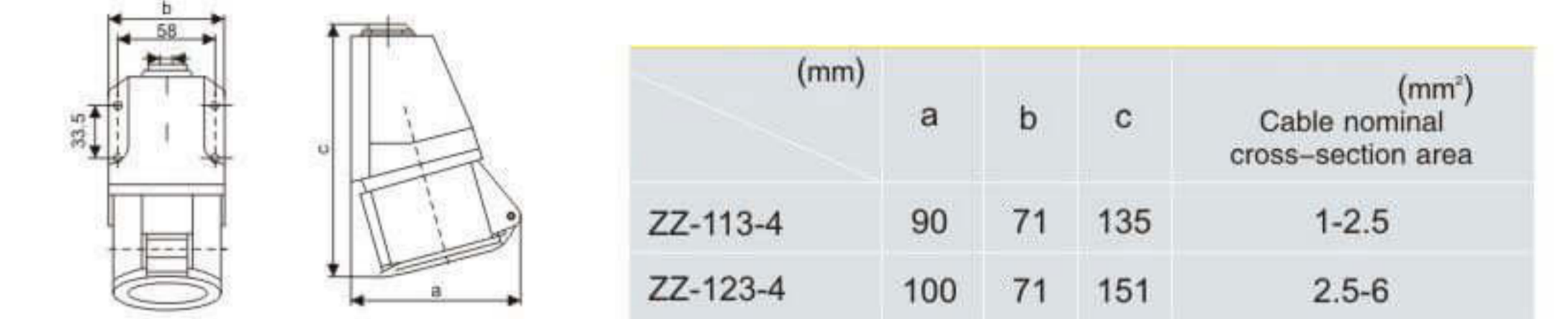
◆Products that meet the German industry standard DIN VDE 0623, European / International Standard EN/IEC 60309-1/2 For other voltages and frequencies, please contact us for further information.



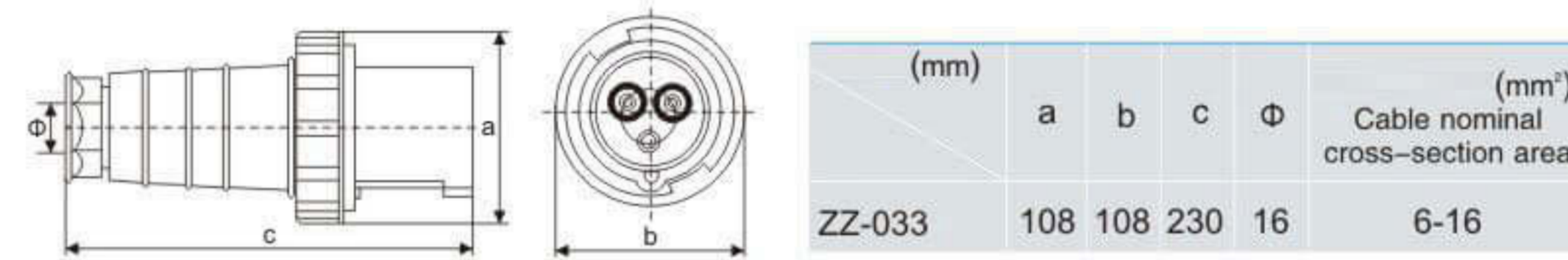
Appellation	Code	Normal current	Earth contact position	Normal voltage	Number of poles	Protection degree
Plug	ZZ-033-4	63A	4h	100-130V~	2P+E	IP67



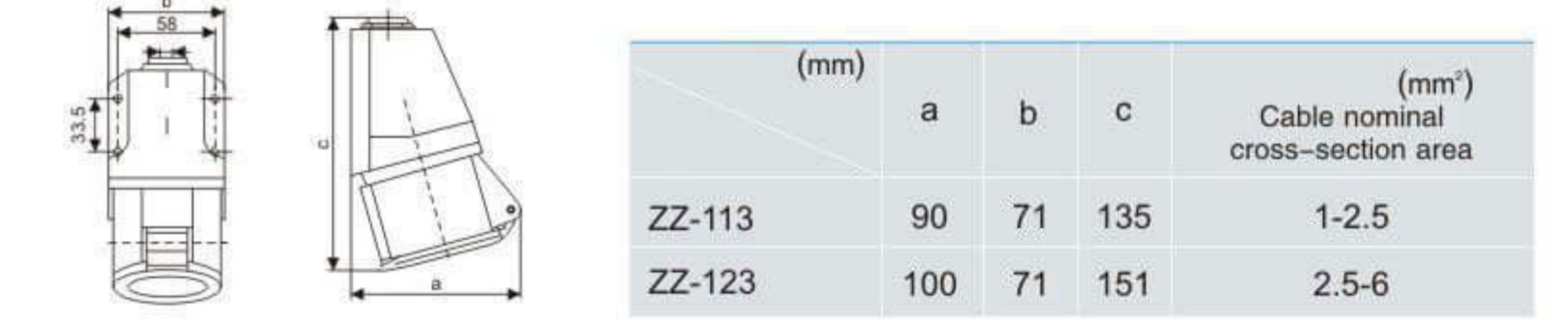
Appellation	Code	Normal current	Earth contact position	Normal voltage	Number of poles	Protection degree
Socket	ZZ-113-4	16A	4h	110-130V~	2P+E	IP44
Socket	ZZ-123-4	32A	4h	110-130V~	2P+E	IP44



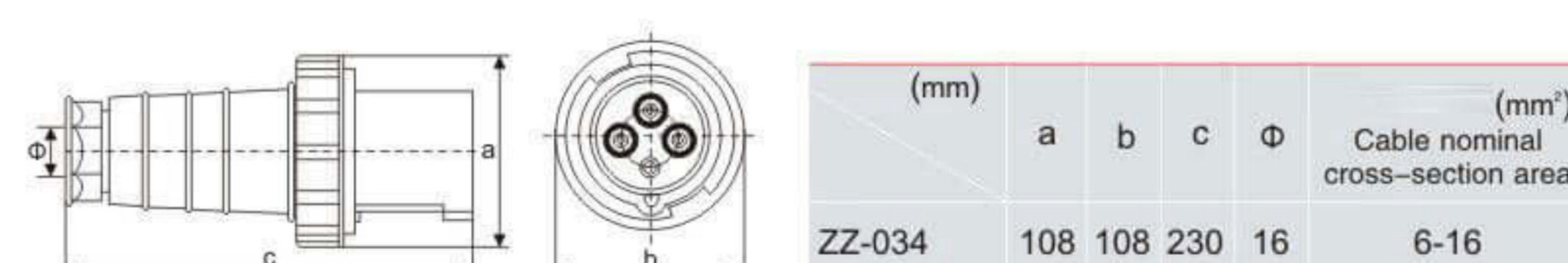
Appellation	Code	Normal current	Earth contact position	Normal voltage	Number of poles	Protection degree
Plug	ZZ-033	63A	6h	220-250V~	2P+E	IP67



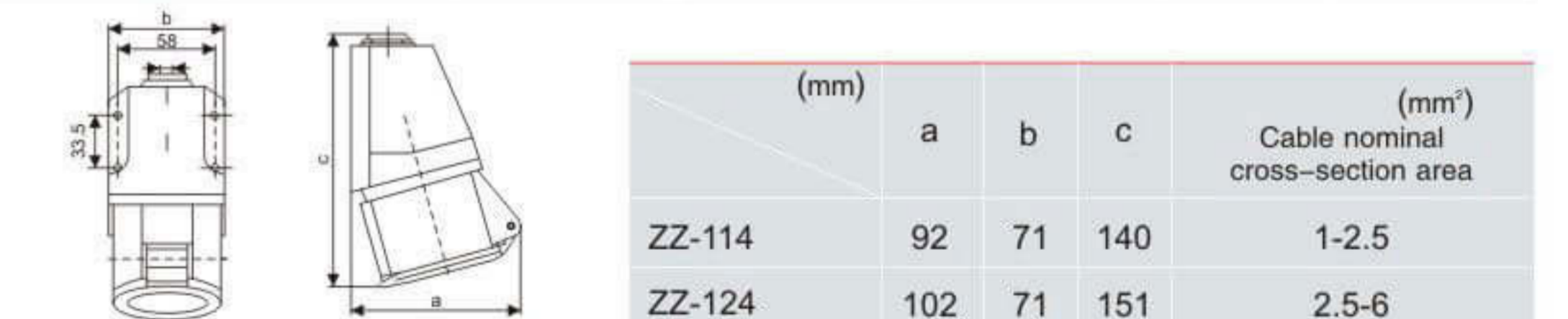
Appellation	Code	Normal current	Earth contact position	Normal voltage	Number of poles	Protection degree
Socket	ZZ-113	16A	6h	220-250V~	2P+E	IP44
Socket	ZZ-123	32A	6h	220-250V~	2P+E	IP44



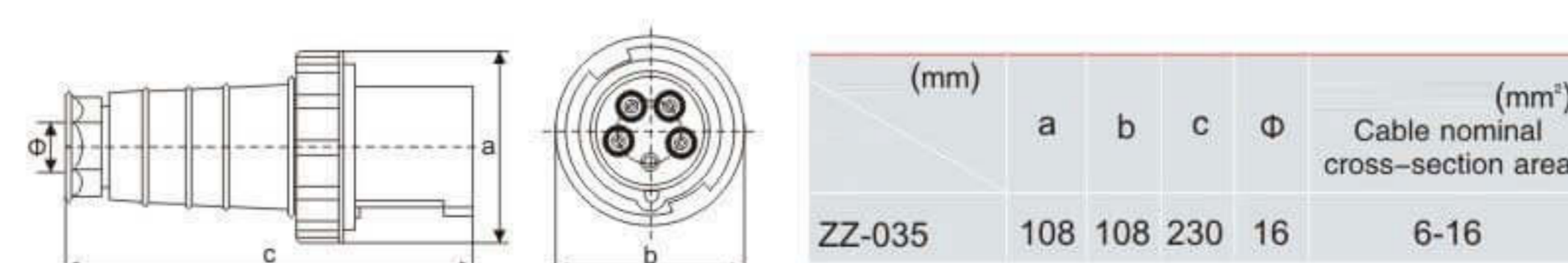
Appellation	Code	Normal current	Earth contact position	Normal voltage	Number of poles	Protection degree
Plug	ZZ-034	63A	6h	380-415V~	2P+E	IP67



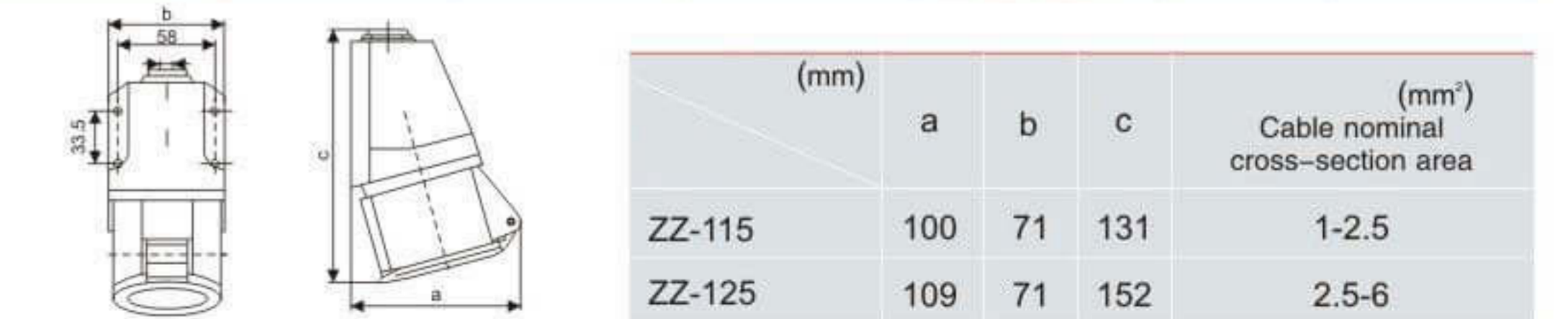
Appellation	Code	Normal current	Earth contact position	Normal voltage	Number of poles	Protection degree
Socket	ZZ-114	16A	6h	380-415V~	3P+E	IP44
Socket	ZZ-124	32A	6h	380-415V~	3P+E	IP44



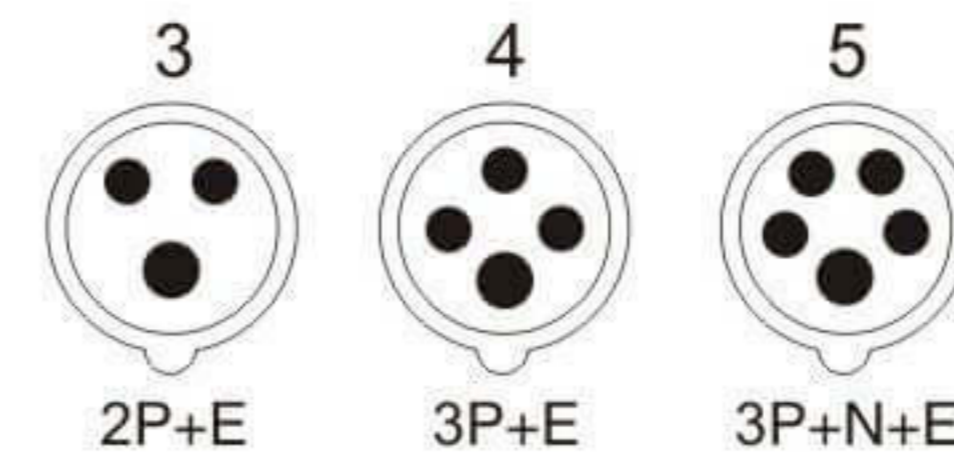
Appellation	Code	Normal current	Earth contact position	Normal voltage	Number of poles	Protection degree
Plug	ZZ-035	63A	6h	220-380V~ 240-415V~	3P+N+E	IP67



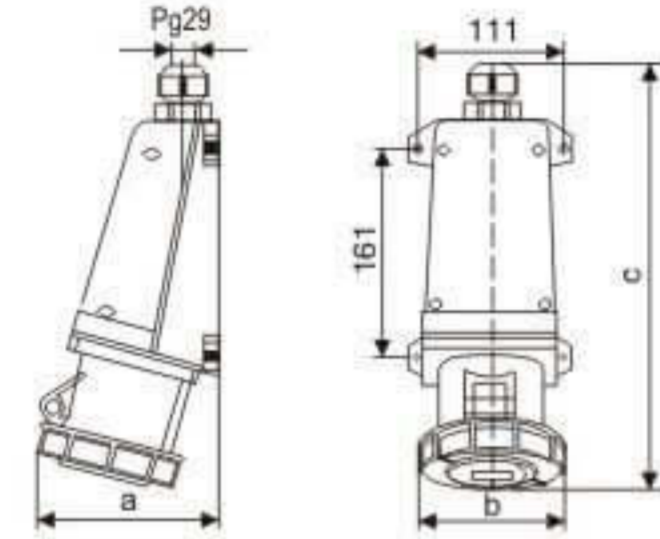
Appellation	Code	Normal current	Earth contact position	Normal voltage	Number of poles	Protection degree
Socket	ZZ-115	16A	6h	220-380V~ 240-415V~	3P+N+E	IP44
Socket	ZZ-125	32A	6h	220-380V~ 240-415V~	3P+N+E	IP44



Industrial plugs, sockets, couplers (connectors) for the world



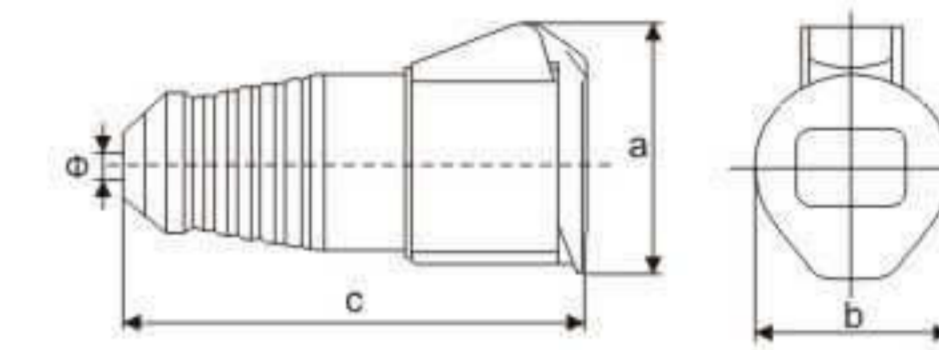
Appellation	Code	Normal current	Earth contact position	Normal voltage	Number of poles	Protection degree
Socket	ZZ-133-4	63A	4h	100-130V~	2P+E	IP67



	(mm)			(mm <sup>2</sup> ) Cable nominal cross-section area
	a	b	c	
ZZ-133-4	133	108	310	6-25



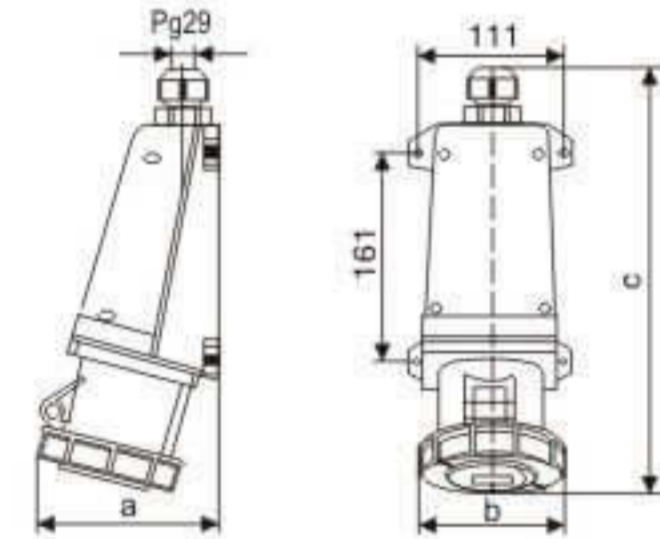
Appellation	Code	Normal current	Earth contact position	Normal voltage	Number of poles	Protection degree
Coupler	ZZ-213-4	16A	4h	100-130V~	2P+E	IP44
Coupler	ZZ-223-4	32A	4h	100-130V~	2P+E	IP44



	(mm)				(mm <sup>2</sup> ) Cable nominal cross-section area
	a	b	c	Φ	
ZZ-213-4	72	51	132	6	1-2.5
ZZ-223-4	92	64	146	8	2.5-6



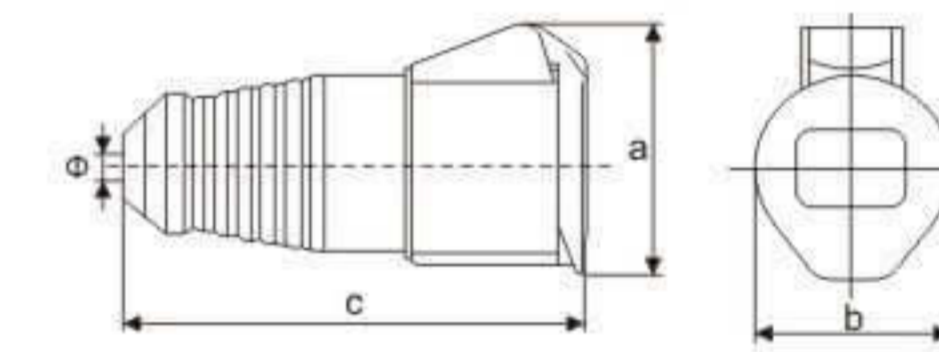
Appellation	Code	Normal current	Earth contact position	Normal voltage	Number of poles	Protection degree
Socket	ZZ-133	63A	6h	220-250V~	2P+E	IP67



	(mm)			(mm <sup>2</sup> ) Cable nominal cross-section area
	a	b	c	
ZZ-133	133	108	310	6-25



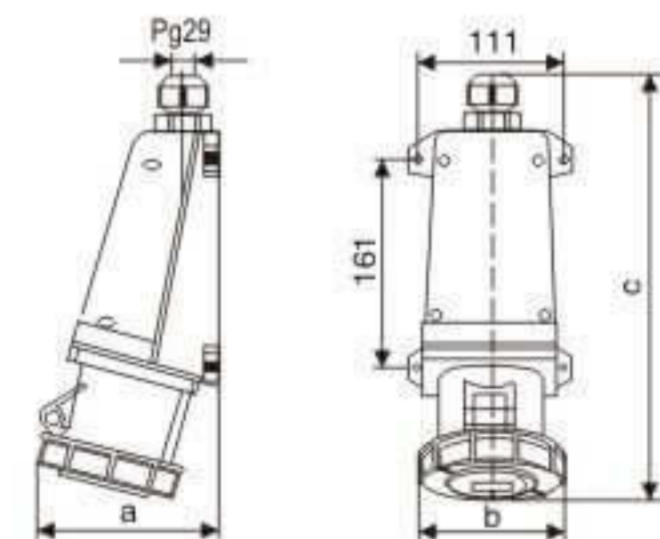
Appellation	Code	Normal current	Earth contact position	Normal voltage	Number of poles	Protection degree
Coupler	ZZ-213	16A	6h	220-250V~	2P+E	IP44
Coupler	ZZ-223	32A	6h	220-250V~	2P+E	IP44



	(mm)				(mm <sup>2</sup> ) Cable nominal cross-section area
	a	b	c	Φ	
ZZ-213	72	51	132	6	1-2.5
ZZ-223	92	64	146	8	2.5-6



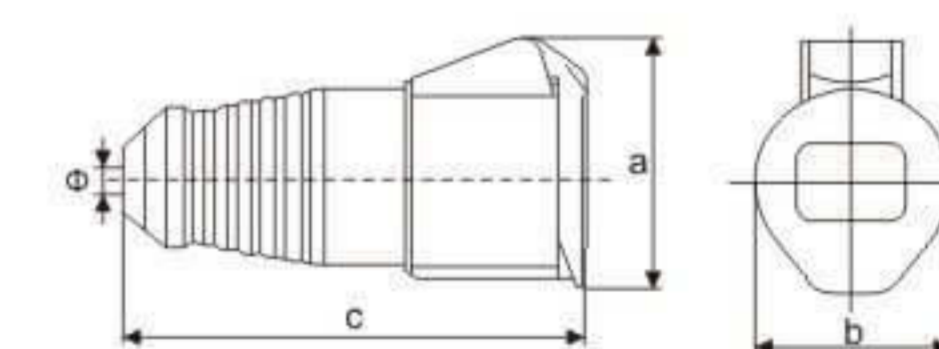
Appellation	Code	Normal current	Earth contact position	Normal voltage	Number of poles	Protection degree
Socket	ZZ-134	63A	6h	380-415V~	2P+E	IP67



	(mm)			(mm <sup>2</sup> ) Cable nominal cross-section area
	a	b	c	
ZZ-134	133	108	310	6-25



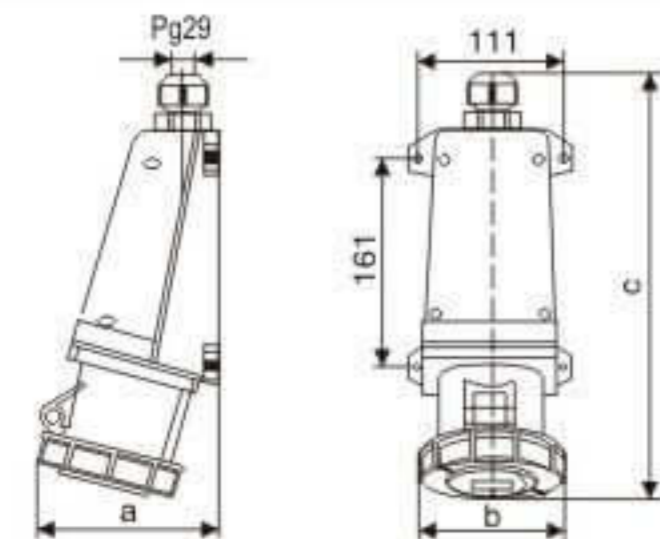
Appellation	Code	Normal current	Earth contact position	Normal voltage	Number of poles	Protection degree
Coupler	ZZ-214	16A	6h	380-415V~	3P+E	IP44
Coupler	ZZ-224	32A	6h	380-415V~	3P+E	IP44



	(mm)				(mm <sup>2</sup> ) Cable nominal cross-section area
	a	b	c	Φ	
ZZ-214	78	55	132	6	1-2.5
ZZ-224	92	64	146	8	2.5-6



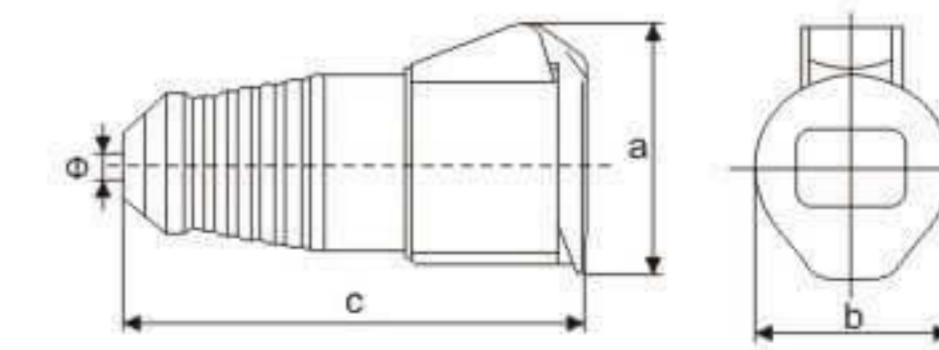
Appellation	Code	Normal current	Earth contact position	Normal voltage	Number of poles	Protection degree
Socket	ZZ-135	63A	6h	220-380V~ 240-415V~	3P+N+E	IP67



	(mm)			(mm <sup>2</sup> ) Cable nominal cross-section area
	a	b	c	
ZZ-135	133	108	310	6-25



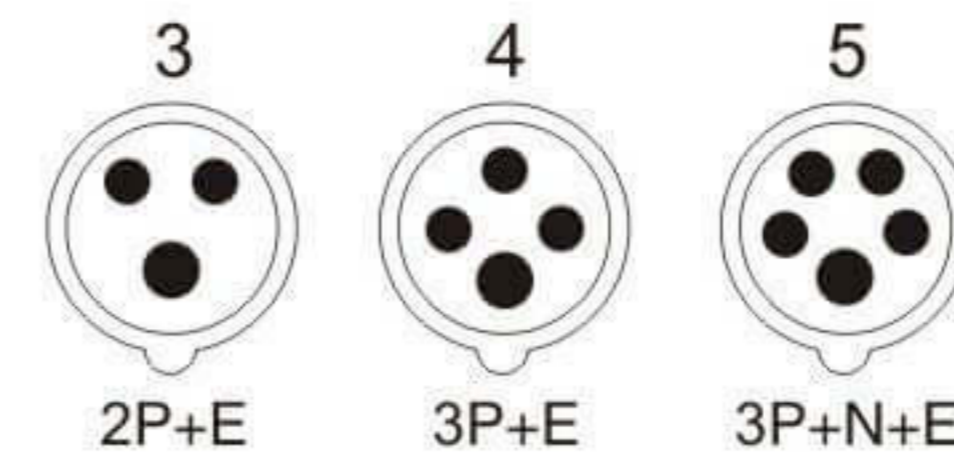
Appellation	Code	Normal current	Earth contact position	Normal voltage	Number of poles	Protection degree
Coupler	ZZ-215	16A	6h	220-380V~ 240-415V~	3P+N+E	IP44
Coupler	ZZ-225	32A	6h	220-380V~ 240-415V~	3P+N+E	IP44



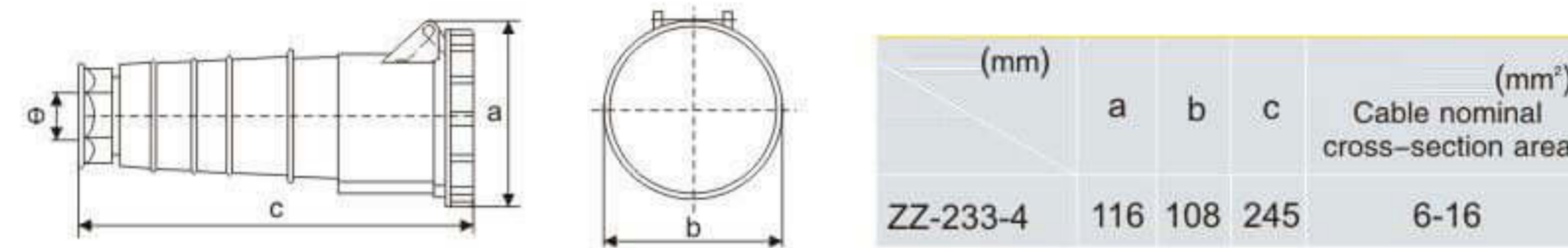
	(mm)				(mm <sup>2</sup> ) Cable nominal cross-section area
	a	b	c	Φ	
ZZ-215	92	63	139	6	1-2.5
ZZ-225	101	70	154	8	2.5-6

Industrial plugs, sockets, couplers (connectors) for the world

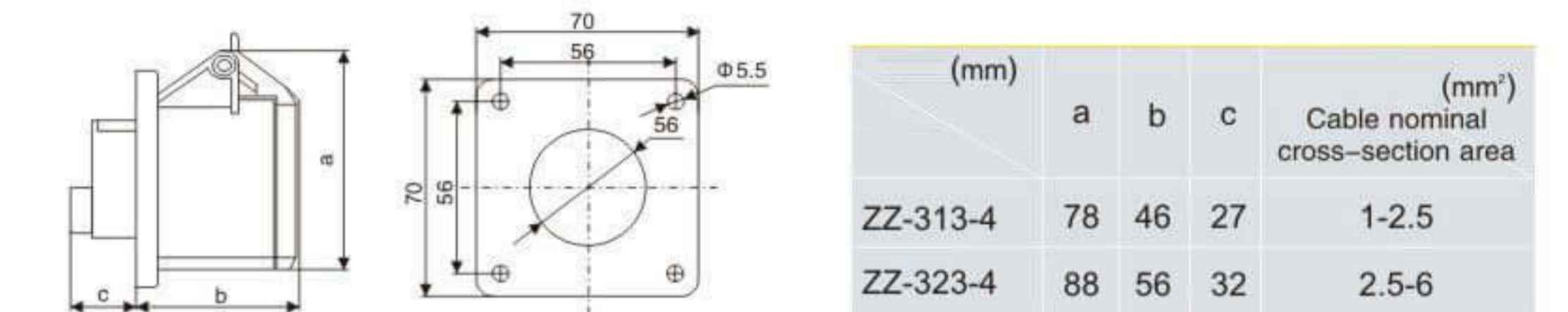
◆Products that meet the German industry standard DIN VDE 0623, European / International Standard EN/IEC 60309-1/2 For other voltages and frequencies, please contact us for further information.



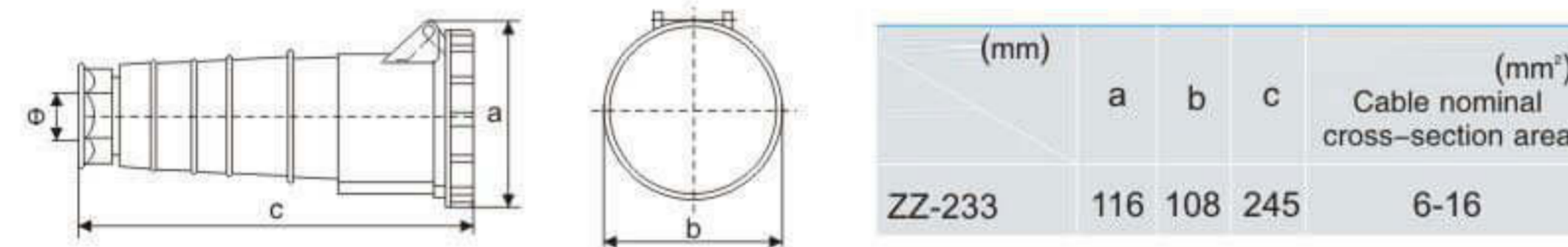
Appellation	Code	Normal current	Earth contact position	Normal voltage	Number of poles	Protection degree
Coupler	ZZ-233-4	63A	4h	110-130V~	2P+E	IP67



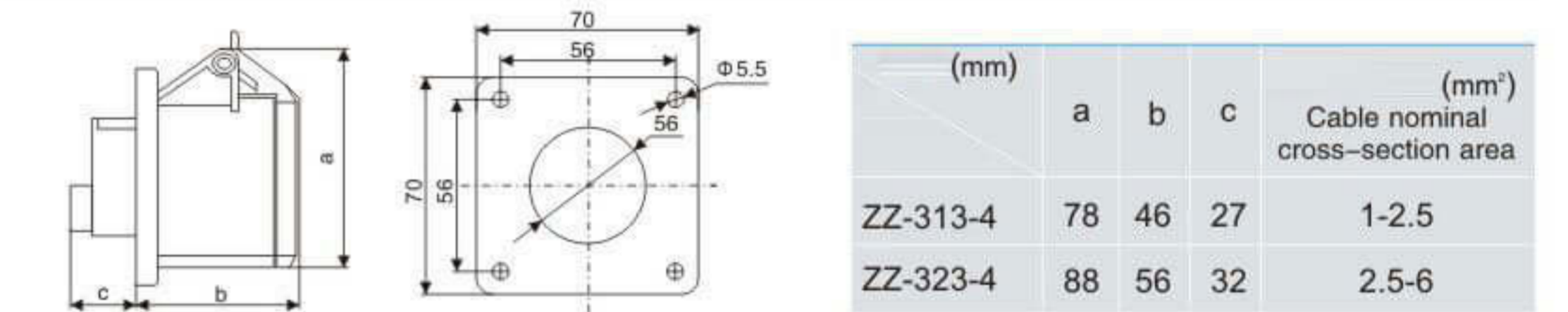
Appellation	Code	Normal current	Earth contact position	Normal voltage	Number of poles	Protection degree
Socket	ZZ-313-4	16A	4h	110-130V~	2P+E	IP44
Socket	ZZ-323-4	32A	4h	110-130V~	2P+E	IP44



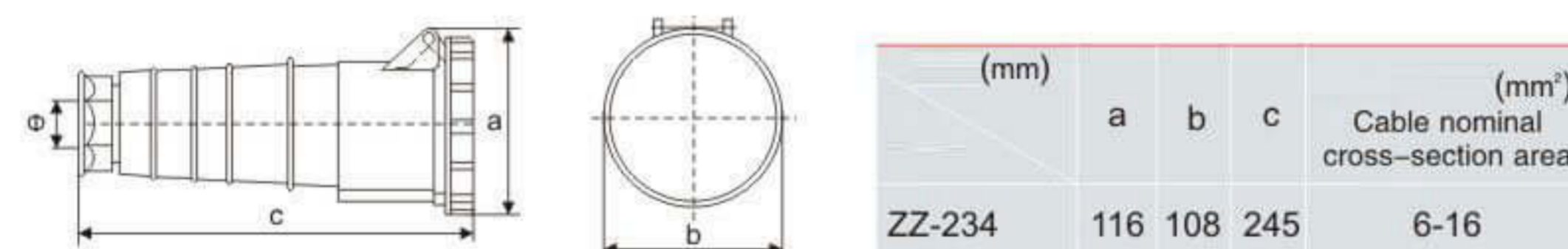
Appellation	Code	Normal current	Earth contact position	Normal voltage	Number of poles	Protection degree
Coupler	ZZ-233	63A	6h	220-250V~	2P+E	IP67



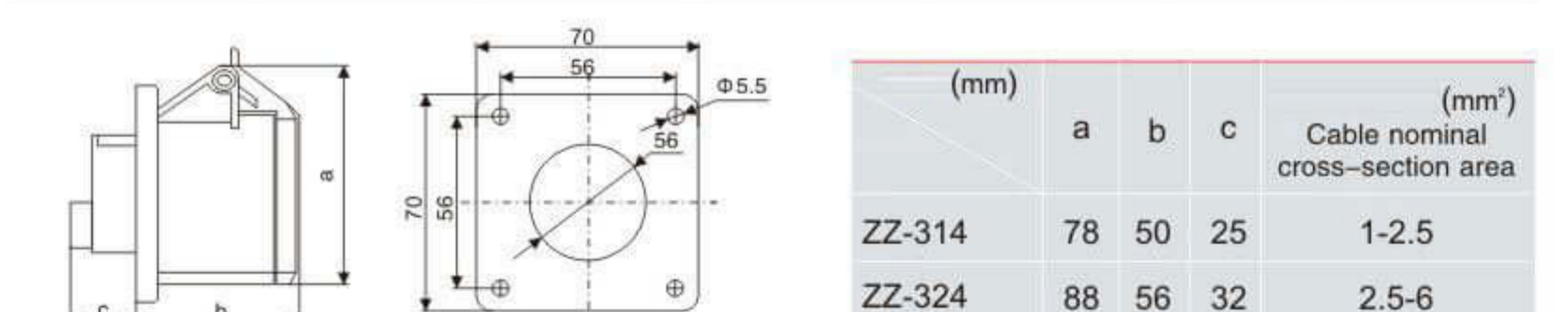
Appellation	Code	Normal current	Earth contact position	Normal voltage	Number of poles	Protection degree
Socket	ZZ-313	16A	6h	220-250V~	2P+E	IP44
Socket	ZZ-323	32A	6h	220-250V~	2P+E	IP44



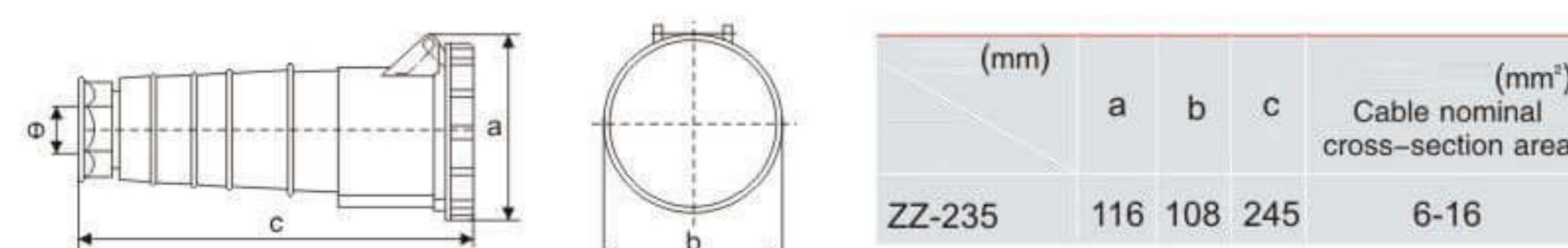
Appellation	Code	Normal current	Earth contact position	Normal voltage	Number of poles	Protection degree
Coupler	ZZ-234	63A	6h	380-415V~	3P+E	IP67



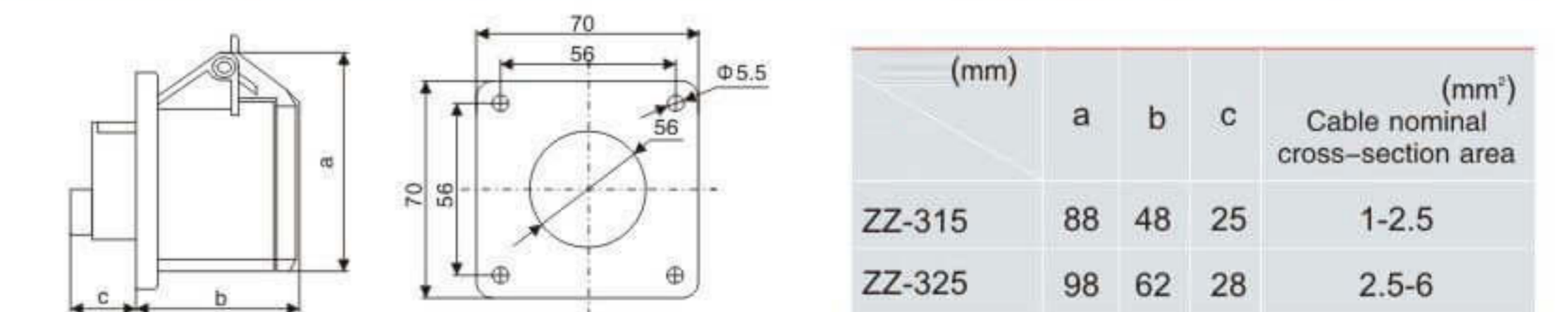
Appellation	Code	Normal current	Earth contact position	Normal voltage	Number of poles	Protection degree
Socket	ZZ-314	16A	6h	380-415V~	3P+E	IP44
Socket	ZZ-324	32A	6h	380-415V~	3P+E	IP44



Appellation	Code	Normal current	Earth contact position	Normal voltage	Number of poles	Protection degree
Coupler	ZZ-235	63A	6h	220-380V~ 240-415V~	3P+N+E	IP67

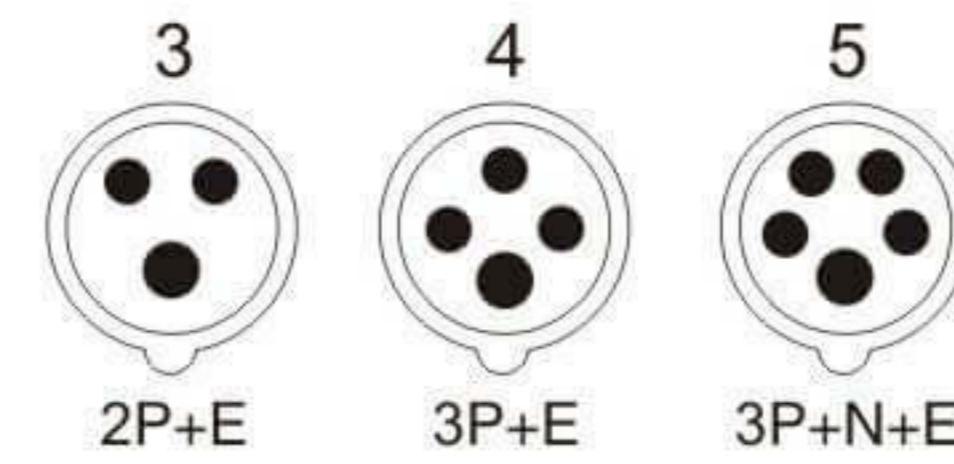


Appellation	Code	Normal current	Earth contact position	Normal voltage	Number of poles	Protection degree
Socket	ZZ-315	16A	6h	220-380V~ 240-415V~	3P+N+E	IP44
Socket	ZZ-325	32A	6h	220-380V~ 240-415V~	3P+N+E	IP44

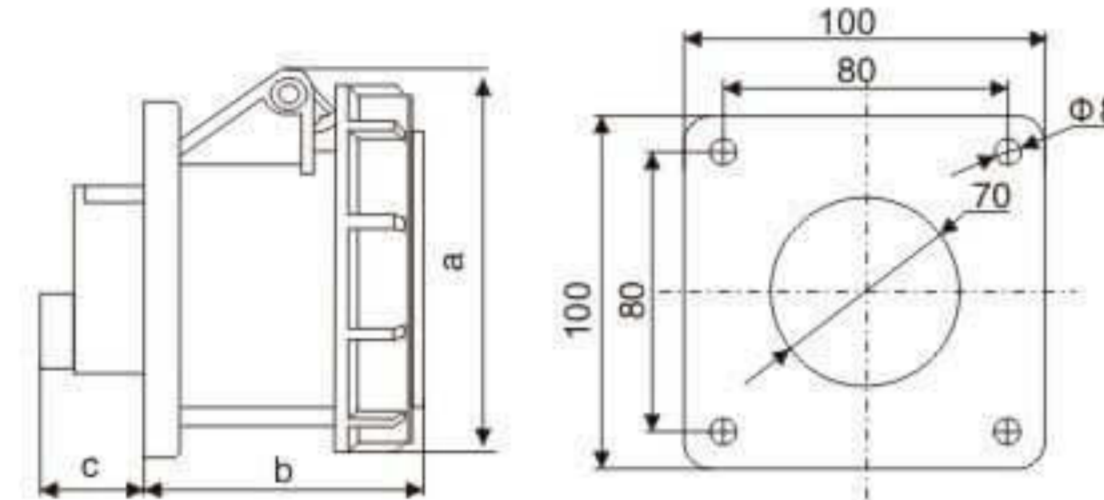


Industrial plugs, sockets, couplers (connectors) for the world

◆Products that meet the German industry standard DIN VDE 0623, European / International Standard EN/IEC 60309-1/2 For other voltages and frequencies, please contact us for further information.



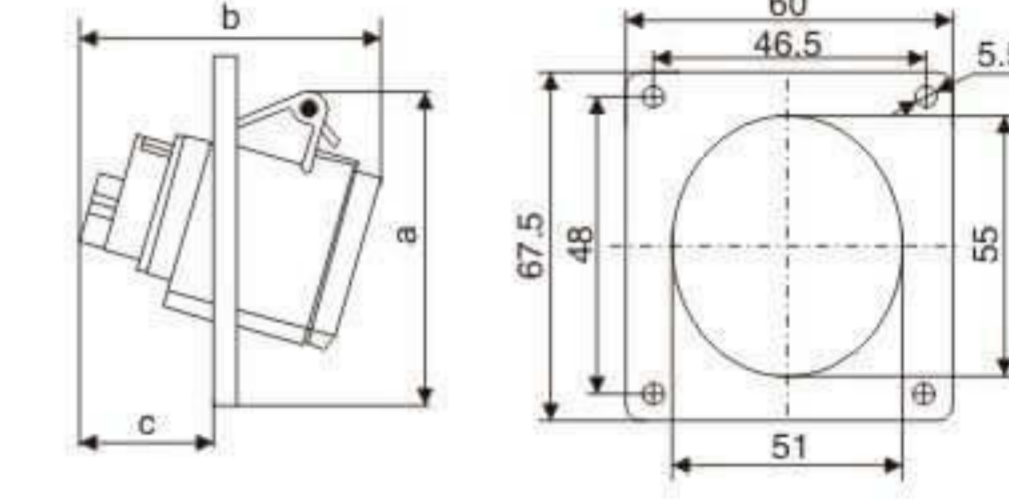
Appellation	Code	Normal current	Earth contact position	Normal voltage	Number of poles	Protection degree
Socket	ZZ-333-4	63A	4h	110-130V~	2P+E	IP67



(mm)	a	b	c	(mm <sup>2</sup> ) Cable nominal cross-section area
ZZ-333-4	117	85	57	6-16



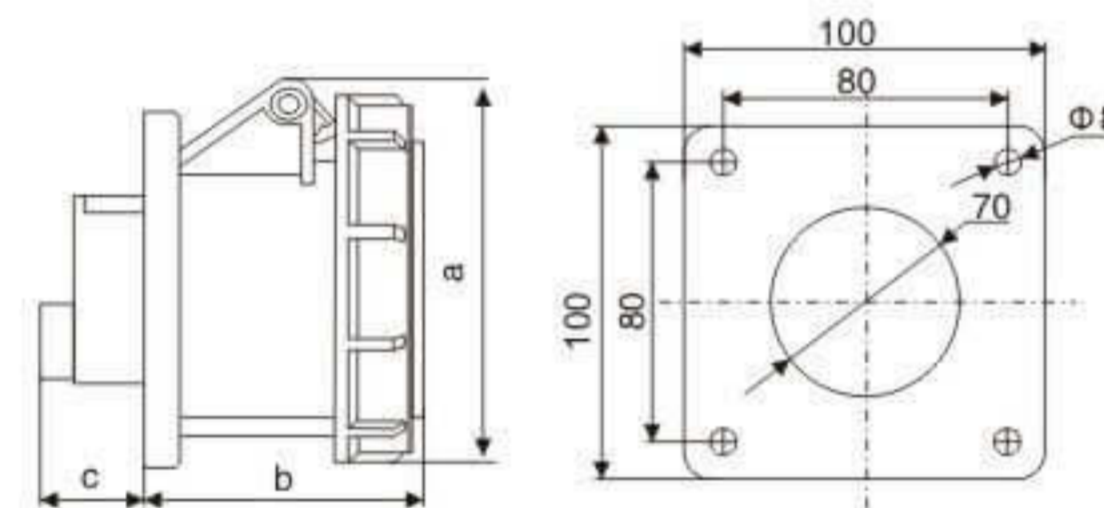
Appellation	Code	Normal current	Earth contact position	Normal voltage	Number of poles	Protection degree
Socket	ZZ-413-4	16A	4h	110-130V~	2P+E	IP44



(mm)	a	b	c	(mm <sup>2</sup> ) Cable nominal cross-section area
ZZ-413-4	74	72	45	1-2.5



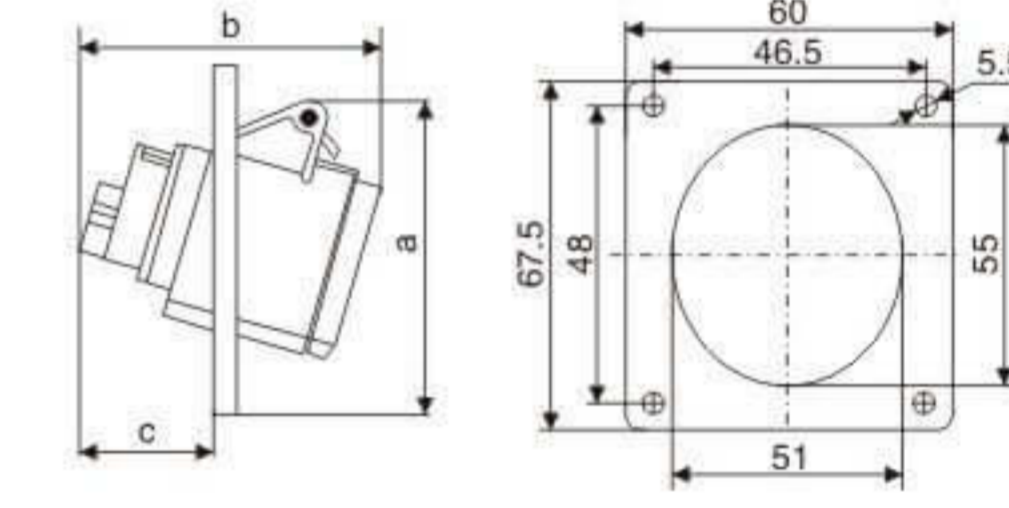
Appellation	Code	Normal current	Earth contact position	Normal voltage	Number of poles	Protection degree
Socket	ZZ-333	63A	6h	220-250V~	2P+E	IP67



(mm)	a	b	c	(mm <sup>2</sup> ) Cable nominal cross-section area
ZZ-333	117	85	57	6-16



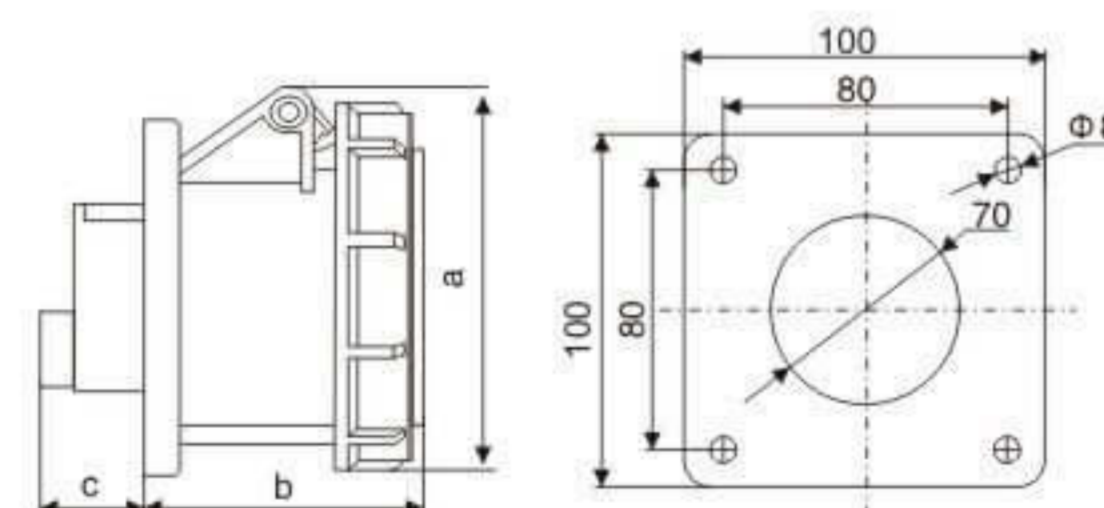
Appellation	Code	Normal current	Earth contact position	Normal voltage	Number of poles	Protection degree
Socket	ZZ-413	16A	6h	220-250V~	2P+E	IP44



(mm)	a	b	c	(mm <sup>2</sup> ) Cable nominal cross-section area
ZZ-413	74	72	45	1-2.5



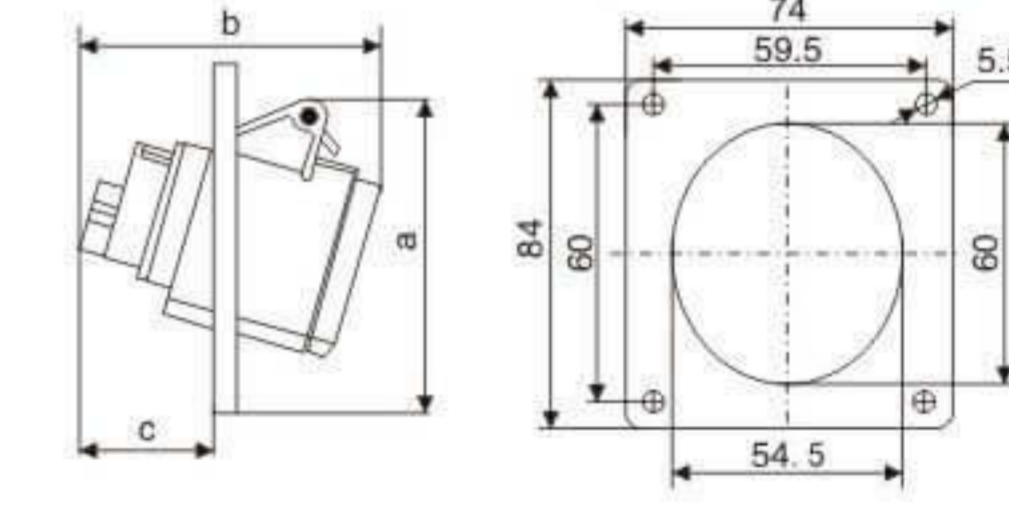
Appellation	Code	Normal current	Earth contact position	Normal voltage	Number of poles	Protection degree
Socket	ZZ-334	63A	6h	380-415V~	3P+E	IP67



(mm)	a	b	c	(mm <sup>2</sup> ) Cable nominal cross-section area
ZZ-334	117	85	57	6-16



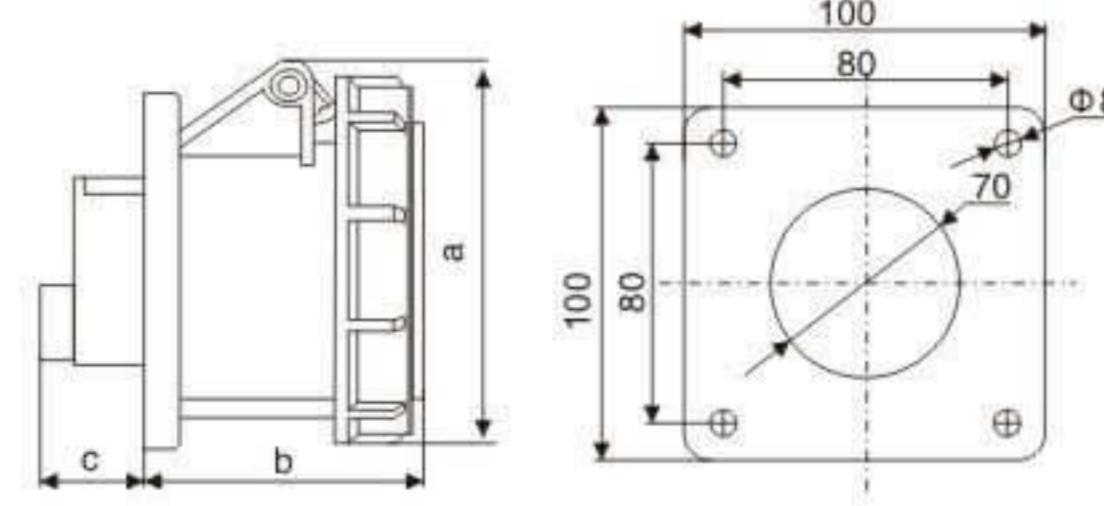
Appellation	Code	Normal current	Earth contact position	Normal voltage	Number of poles	Protection degree
Socket	ZZ-414	16A	6h	380-415V~	2P+E	IP44



(mm)	a	b	c	(mm <sup>2</sup> ) Cable nominal cross-section area
ZZ-414	84	73	46	1-2.5



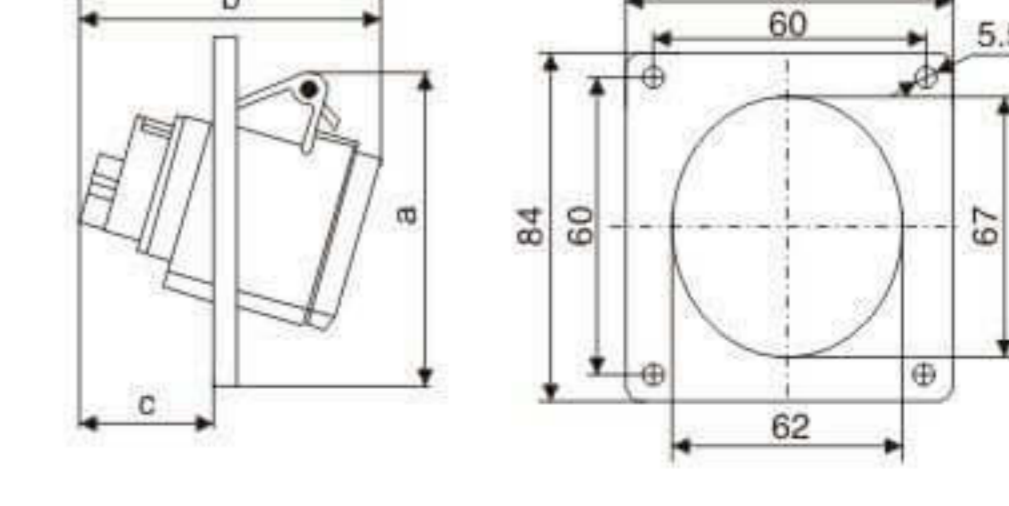
Appellation	Code	Normal current	Earth contact position	Normal voltage	Number of poles	Protection degree
Socket	ZZ-335	63A	6h	220-380V~ 240-415V~	3P+N+E	IP67



(mm)	a	b	c	(mm <sup>2</sup> ) Cable nominal cross-section area
ZZ-335	117	85	57	6-16



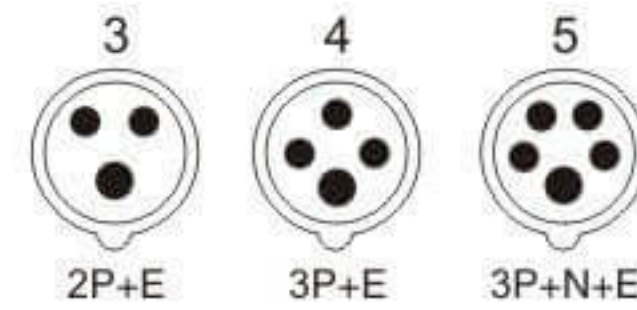
Appellation	Code	Normal current	Earth contact position	Normal voltage	Number of poles	Protection degree
Socket	ZZ-415	16A	6h	220-380V~ 240-415V~	3P+N+E	IP44



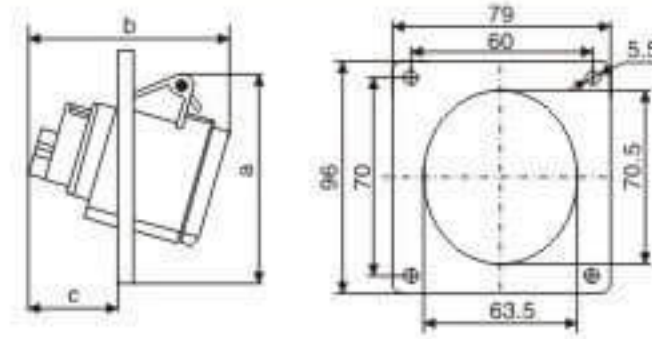
(mm)	a	b	c	(mm <sup>2</sup> ) Cable nominal cross-section area
ZZ-415	90	77	49	1-2.5

Industrial plugs, sockets, couplers (connectors) for the world

◆Products that meet the German industry standard DIN VDE 0623, European / International Standard EN/IEC 60309-1/2 For other voltages and frequencies, please contact us for further information.



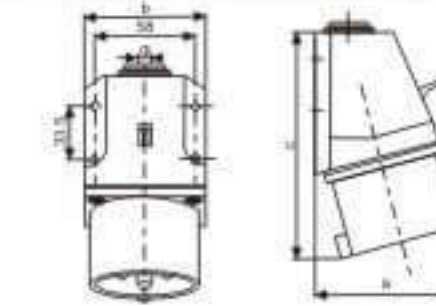
Appellation	Code	Normal current	Earth contact position	Normal voltage	Number of poles	Protection degree
Socket	ZZ-423-4	32A	4h	110-130V~	2P+E	IP44



(mm)			(mm <sup>2</sup> )
a	b	c	Cable nominal cross-section area
96	92	52	2.5-6



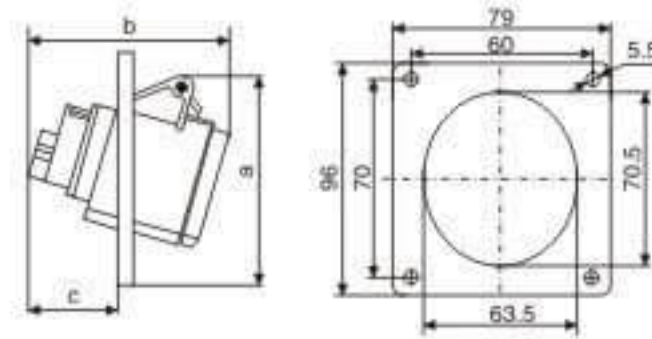
Appellation	Code	Normal current	Earth contact position	Normal voltage	Number of poles	Protection degree
Plug	ZZ-513-4	16A	4h	110-130V~	2P+E	IP44
Plug	ZZ-523-4	32A	4h	110-130V~	2P+E	IP44



(mm)			(mm <sup>2</sup> )
a	b	c	Cable nominal cross-section area
78	71	131	1-2.5
83	71	140	2.5-6



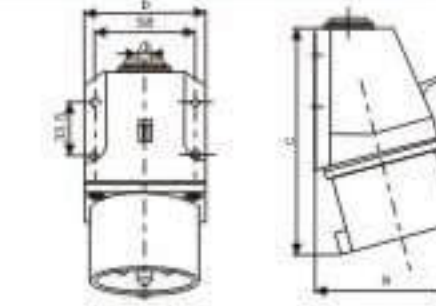
Appellation	Code	Normal current	Earth contact position	Normal voltage	Number of poles	Protection degree
Socket	ZZ-423	32A	6h	220-250V~	2P+E	IP44



(mm)			(mm <sup>2</sup> )
a	b	c	Cable nominal cross-section area
96	92	52	2.5-6



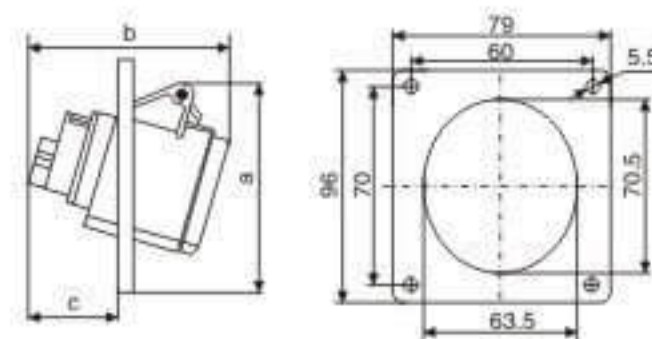
Appellation	Code	Normal current	Earth contact position	Normal voltage	Number of poles	Protection degree
Plug	ZZ-513	16A	6h	220-250V~	2P+E	IP44
Plug	ZZ-523	32A	6h	220-250V~	2P+E	IP44



(mm)			(mm <sup>2</sup> )
a	b	c	Cable nominal cross-section area
78	71	131	1-2.5
83	71	140	2.5-6



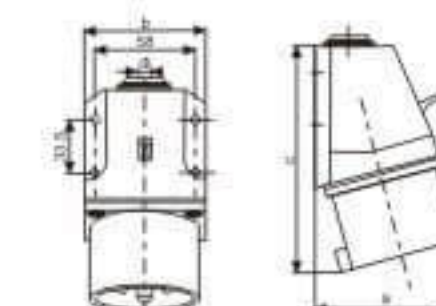
Appellation	Code	Normal current	Earth contact position	Normal voltage	Number of poles	Protection degree
Socket	ZZ-424	32A	6h	380-415V~	2P+E	IP44



(mm)			(mm <sup>2</sup> )
a	b	c	Cable nominal cross-section area
96	92	52	2.5-6



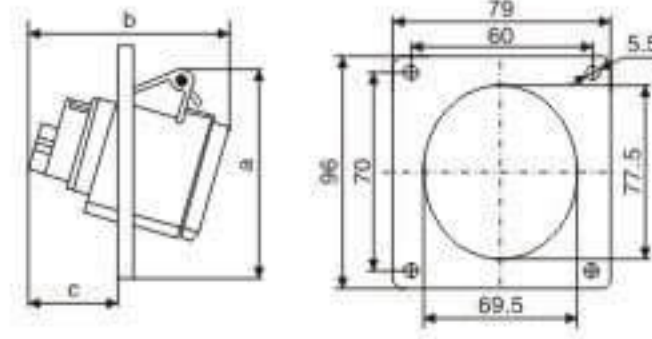
Appellation	Code	Normal current	Earth contact position	Normal voltage	Number of poles	Protection degree
Plug	ZZ-514	16A	6h	380-415V~	2P+E	IP44
Plug	ZZ-524	32A	6h	380-415V~	2P+E	IP44



(mm)			(mm <sup>2</sup> )
a	b	c	Cable nominal cross-section area
78	71	131	1-2.5
83	71	140	2.5-6



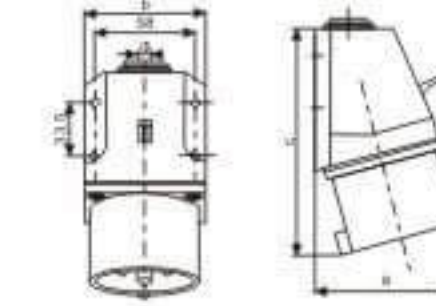
Appellation	Code	Normal current	Earth contact position	Normal voltage	Number of poles	Protection degree
Socket	ZZ-425	32A	6h	220-380V~ 240-415V~	3P+N+E	IP44



(mm)			(mm <sup>2</sup> )
a	b	c	Cable nominal cross-section area
102	95	51	2.5-6



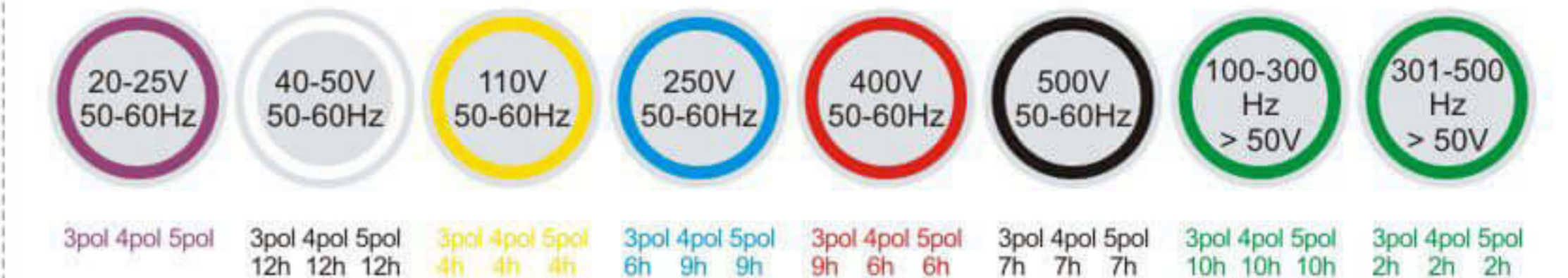
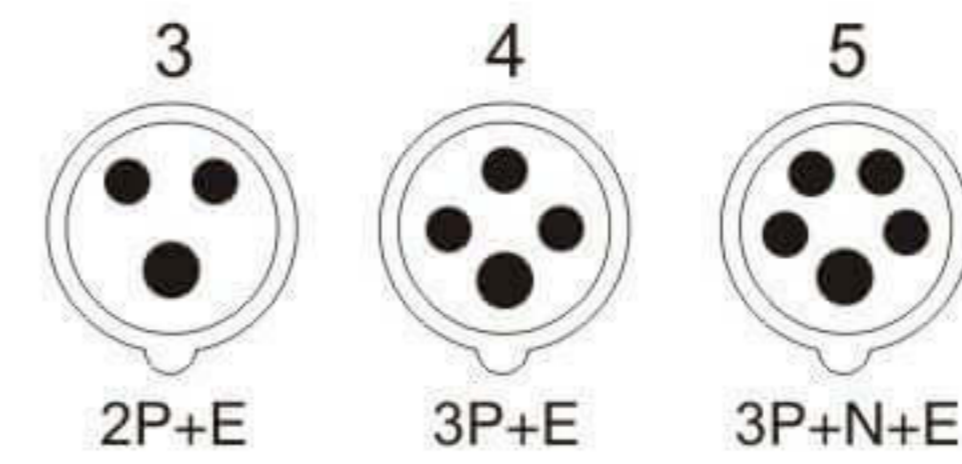
Appellation	Code	Normal current	Earth contact position	Normal voltage	Number of poles	Protection degree
Plug	ZZ-515	16A	6h	220-380V~ 240-415V~	3P+N+E	IP44
Plug	ZZ-525	32A	6h	220-380V~ 240-415V~	3P+N+E	IP44



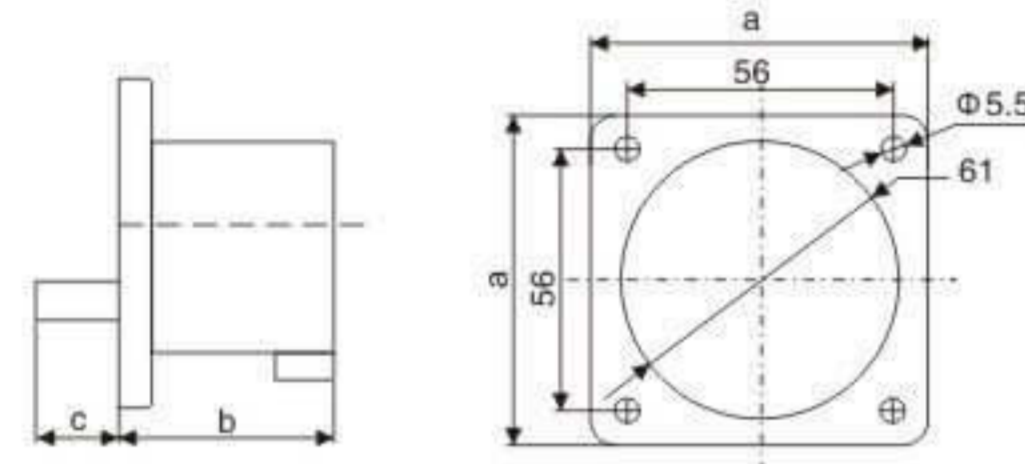
(mm)			(mm <sup>2</sup> )
a	b	c	Cable nominal cross-section area
80	71	131	1-2.5
87	71	142	2.5-6

## Industrial plugs, sockets, couplers (connectors) for the world

◆Products that meet the German industry standard DIN VDE 0623, European / International Standard EN/IEC 60309-1/2 For other voltages and frequencies, please contact us for further information.



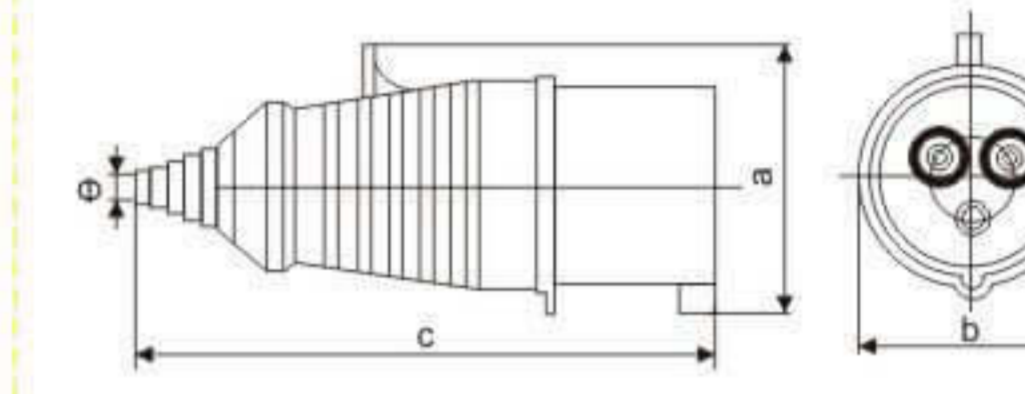
Appellation	Code	Normal current	Earth contact position	Normal voltage	Number of poles	Protection degree
Plug	ZZ-613-4	16A	4h	110-130V~	2P+E	IP44
Plug	ZZ-623-4	32A	4h	110-130V~	2P+E	IP44



(mm)	a	b	c	(mm <sup>2</sup> ) Cable nominal cross-section area
ZZ-613-4	70	41	24	1-2.5
ZZ-623-4	70	50	28	2.5-6



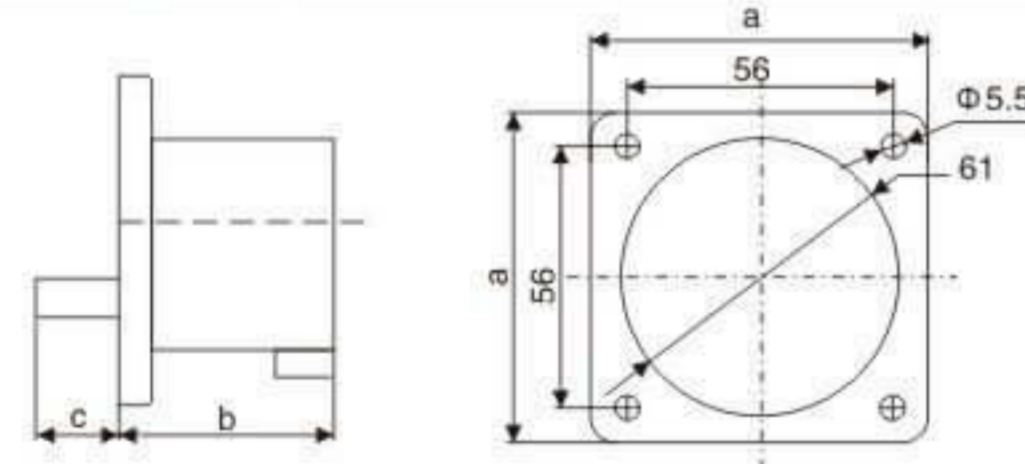
Appellation	Code	Normal current	Earth contact position	Normal voltage	Number of poles	Protection degree
Plug	ZZ-013L-4	16A	4h	110-130V~	2P+E	IP44
Plug	ZZ-023L-4	32A	4h	110-130V~	2P+E	IP44



(mm)	a	b	c	$\phi$	(mm <sup>2</sup> ) Cable nominal cross-section area
ZZ-013L-4	59	51	141	6	1-2.5
ZZ-023L-4	75	64	167	8	2.5-6



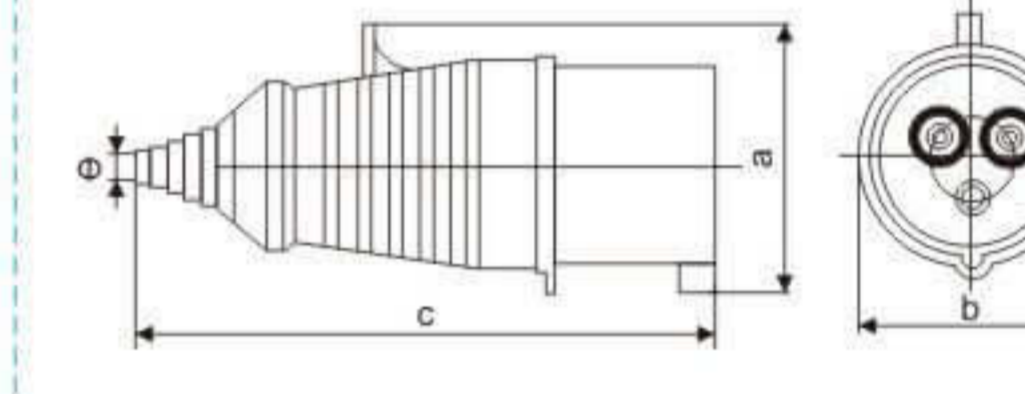
Appellation	Code	Normal current	Earth contact position	Normal voltage	Number of poles	Protection degree
Plug	ZZ-613	16A	6h	220-250V~	2P+E	IP44
Plug	ZZ-623	32A	6h	220-250V~	2P+E	IP44



(mm)	a	b	c	(mm <sup>2</sup> ) Cable nominal cross-section area
ZZ-613	70	41	24	1-2.5
ZZ-623	70	50	28	2.5-6



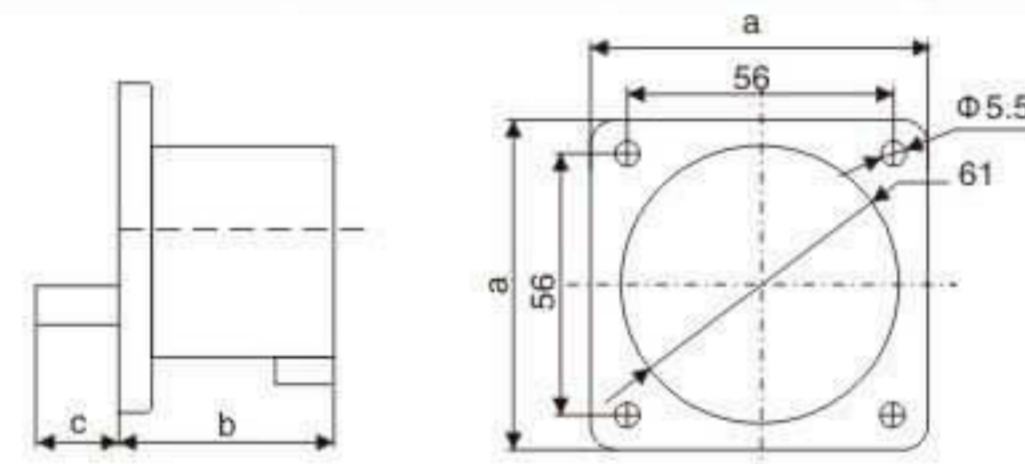
Appellation	Code	Normal current	Earth contact position	Normal voltage	Number of poles	Protection degree
Plug	ZZ-013L	16A	6h	220-250V~	2P+E	IP44
Plug	ZZ-023L	32A	6h	220-250V~	2P+E	IP44



(mm)	a	b	c	$\phi$	(mm <sup>2</sup> ) Cable nominal cross-section area
ZZ-013L	59	51	141	6	1-2.5
ZZ-023L	75	64	167	8	2.5-6



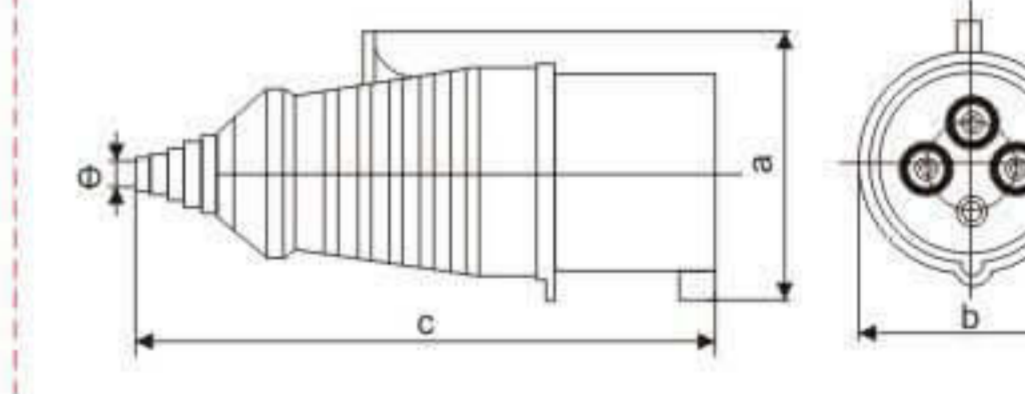
Appellation	Code	Normal current	Earth contact position	Normal voltage	Number of poles	Protection degree
Plug	ZZ-614	16A	6h	380-415V~	3P+E	IP44
Plug	ZZ-624	32A	6h	380-415V~	3P+E	IP44



(mm)	a	b	c	(mm <sup>2</sup> ) Cable nominal cross-section area
ZZ-614	70	41	24	1-2.5
ZZ-624	70	50	28	2.5-6



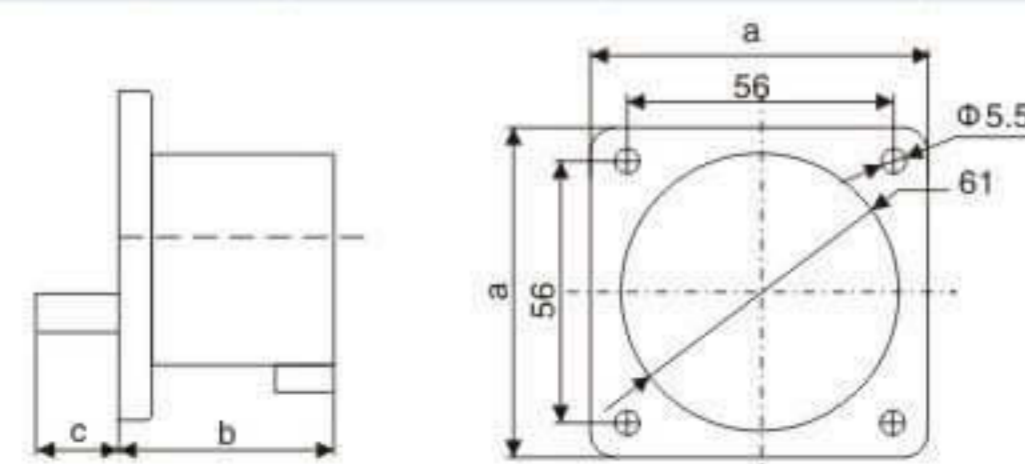
Appellation	Code	Normal current	Earth contact position	Normal voltage	Number of poles	Protection degree
Plug	ZZ-014L	16A	6h	380-415V~	3P+E	IP44
Plug	ZZ-024L	32A	6h	380-415V~	3P+E	IP44



(mm)	a	b	c	$\phi$	(mm <sup>2</sup> ) Cable nominal cross-section area
ZZ-014L	65	55	141	6	1-2.5
ZZ-024L	75	64	167	8	2.5-6



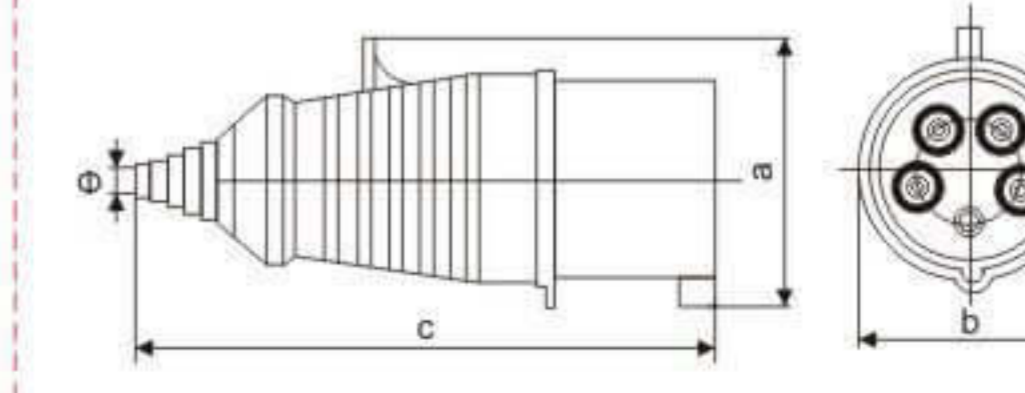
Appellation	Code	Normal current	Earth contact position	Normal voltage	Number of poles	Protection degree
Plug	ZZ-615	16A	6h	220-380V~ 240-415V~	3P+N+E	IP44
Plug	ZZ-625	32A	6h	220-380V~ 240-415V~	3P+N+E	IP44



(mm)	a	b	c	(mm <sup>2</sup> ) Cable nominal cross-section area
ZZ-615	70	41	24	1-2.5
ZZ-625	70	51	29	2.5-6



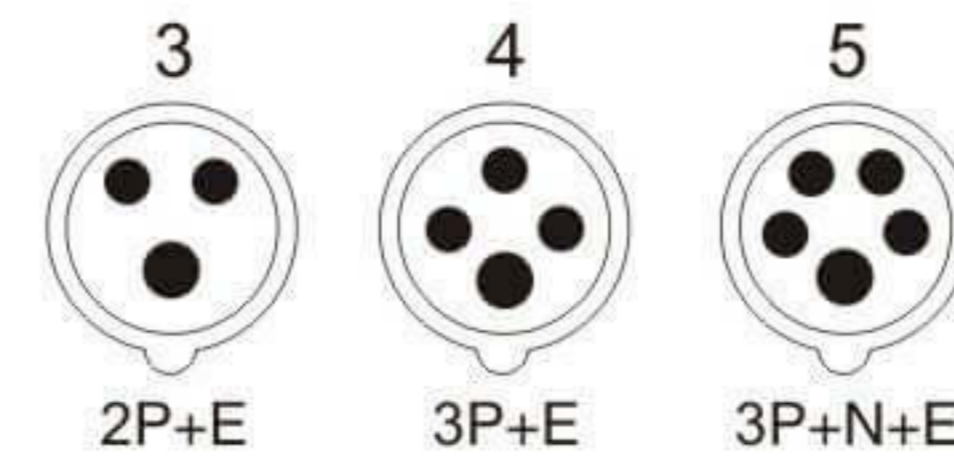
Appellation	Code	Normal current	Earth contact position	Normal voltage	Number of poles	Protection degree
Plug	ZZ-015L	16A	6h	220-380V~ 240-415V~	3P+N+E	IP44
Plug	ZZ-025L	32A	6h	220-380V~ 240-415V~	3P+N+E	IP44



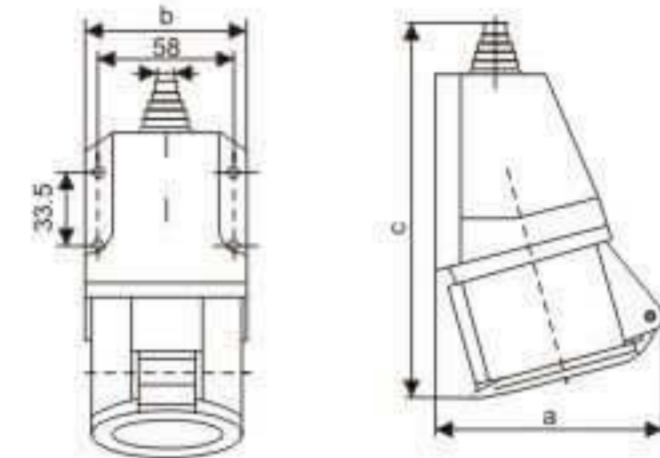
(mm)	a	b	c	$\phi$	(mm <sup>2</sup> ) Cable nominal cross-section area
ZZ-015L	72	64	160	8	1-2.5
ZZ-025L	84	70	174	8	2.5-6

Industrial plugs, sockets, couplers (connectors) for the world

◆Products that meet the German industry standard DIN VDE 0623, European / International Standard EN/IEC 60309-1/2 For other voltages and frequencies, please contact us for further information.



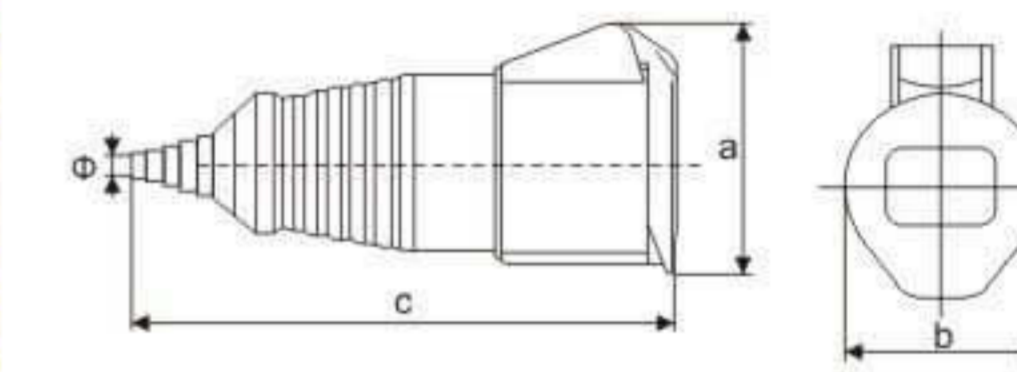
Appellation	Code	Normal current	Earth contact position	Normal voltage	Number of poles	Protection degree
Socket	ZZ-113L-4	16A	4h	110-130V~	2P+E	IP44
Socket	ZZ-123L-4	32A	4h	110-130V~	2P+E	IP44



(mm)	a	b	c	(mm <sup>2</sup> ) Cable nominal cross-section area
ZZ-113L-4	90	71	165	1-2.5
ZZ-123L-4	100	71	179	2.5-6



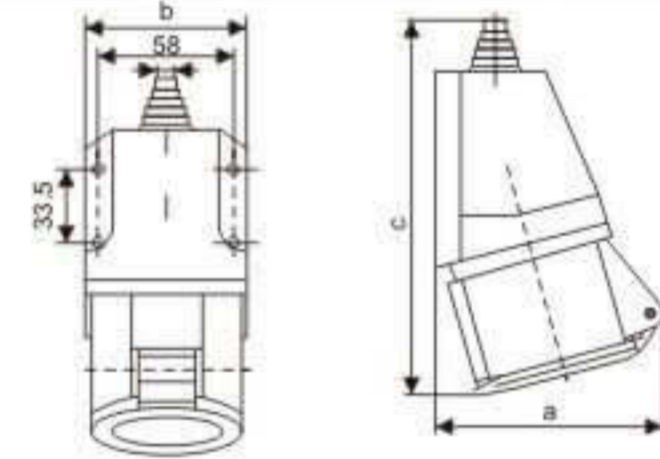
Appellation	Code	Normal current	Earth contact position	Normal voltage	Number of poles	Protection degree
Coupler	ZZ-213L-4	16A	4h	100-130V~	2P+E	IP44
Coupler	ZZ-223L-4	32A	4h	100-130V~	2P+E	IP44



(mm)	a	b	c	Φ	(mm <sup>2</sup> ) Cable nominal cross-section area
ZZ-213L-4	72	51	151	6	1-2.5
ZZ-223L-4	92	64	177	8	2.5-6



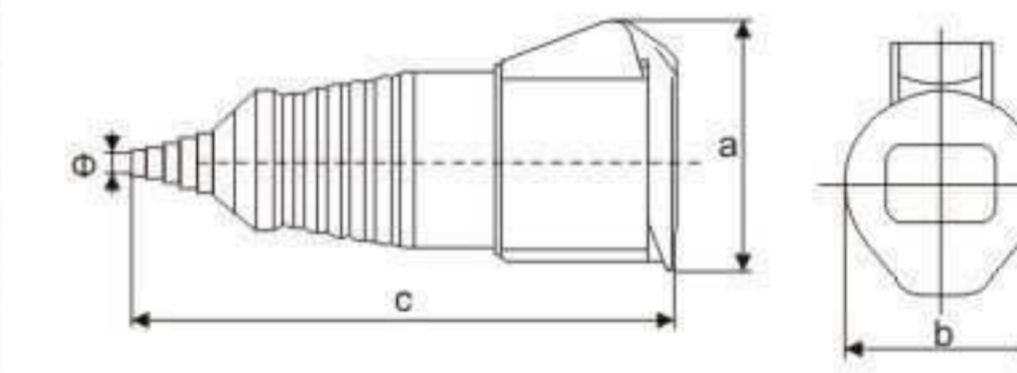
Appellation	Code	Normal current	Earth contact position	Normal voltage	Number of poles	Protection degree
Socket	ZZ-113L	16A	6h	220-250V~	2P+E	IP44
Socket	ZZ-123L	32A	6h	220-250V~	2P+E	IP44



(mm)	a	b	c	(mm <sup>2</sup> ) Cable nominal cross-section area
ZZ-113L	90	71	165	1-2.5
ZZ-123L	100	71	179	2.5-6



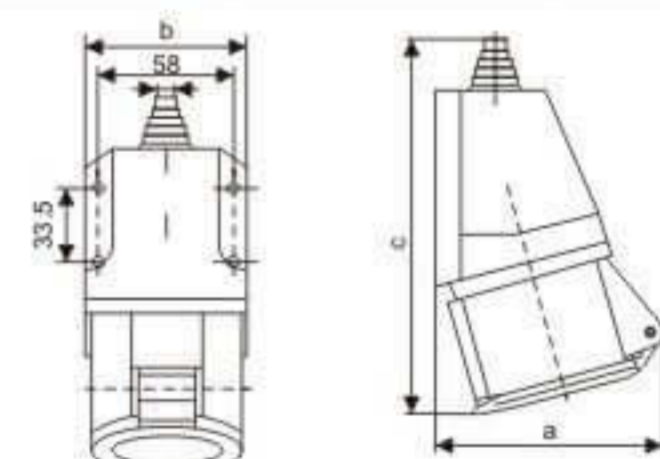
Appellation	Code	Normal current	Earth contact position	Normal voltage	Number of poles	Protection degree
Coupler	ZZ-213L	16A	6h	220-250V~	2P+E	IP44
Coupler	ZZ-223L	32A	6h	220-250V~	2P+E	IP44



(mm)	a	b	c	Φ	(mm <sup>2</sup> ) Cable nominal cross-section area
ZZ-213L	72	51	151	6	1-2.5
ZZ-223L	92	64	177	8	2.5-6



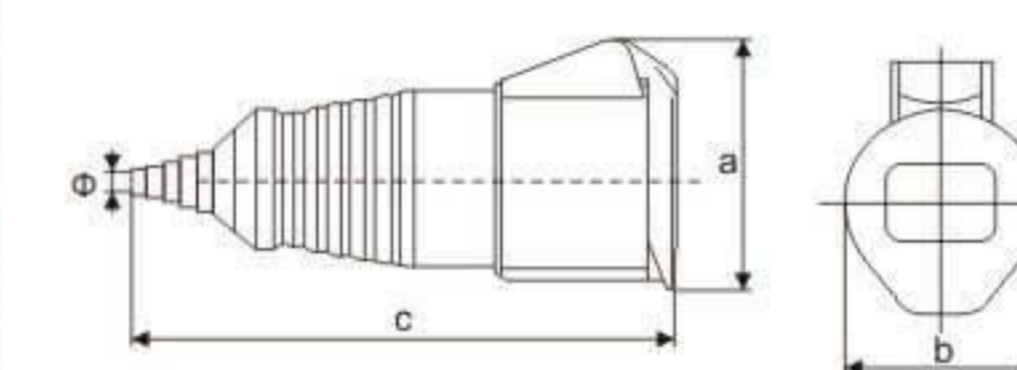
Appellation	Code	Normal current	Earth contact position	Normal voltage	Number of poles	Protection degree
Socket	ZZ-114L	16A	6h	380-415V~	3P+E	IP44
Socket	ZZ-124L	32A	6h	380-415V~	3P+E	IP44



(mm)	a	b	c	(mm <sup>2</sup> ) Cable nominal cross-section area
ZZ-114L	92	71	165	1-2.5
ZZ-124L	102	71	179	2.5-6



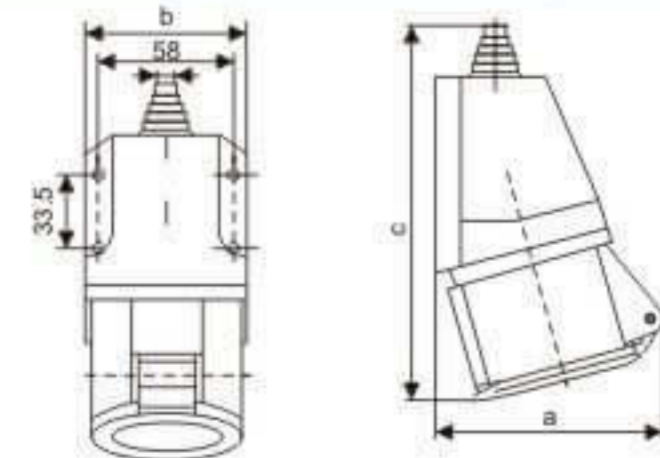
Appellation	Code	Normal current	Earth contact position	Normal voltage	Number of poles	Protection degree
Coupler	ZZ-214L	16A	6h	380-415V~	3P+E	IP44
Coupler	ZZ-224L	32A	6h	380-415V~	3P+E	IP44



(mm)	a	b	c	Φ	(mm <sup>2</sup> ) Cable nominal cross-section area
ZZ-214L	78	55	151	6	1-2.5
ZZ-224L	92	64	177	8	2.5-6



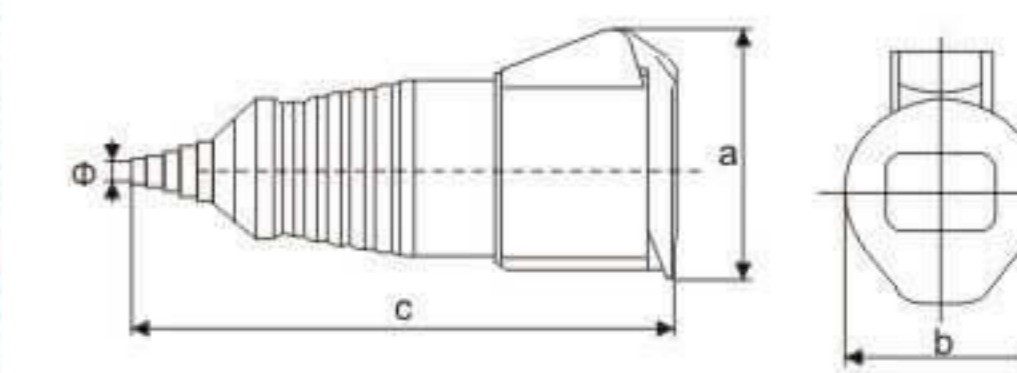
Appellation	Code	Normal current	Earth contact position	Normal voltage	Number of poles	Protection degree
Socket	ZZ-115L	16A	6h	220-380V~ 240-415V~	3P+N+E	IP44
Socket	ZZ-125L	32A	6h	220-380V~ 240-415V~	3P+N+E	IP44



(mm)	a	b	c	(mm <sup>2</sup> ) Cable nominal cross-section area
ZZ-115L	100	71	166	1-2.5
ZZ-125L	109	71	180	2.5-6



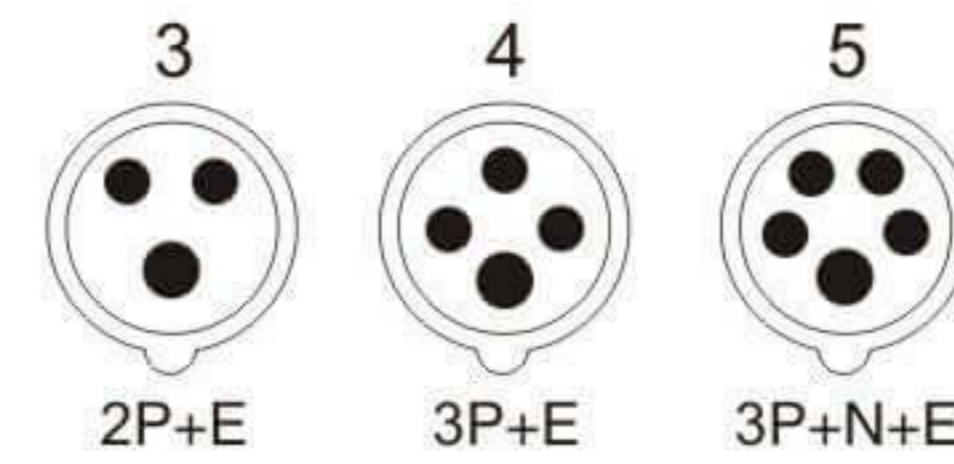
Appellation	Code	Normal current	Earth contact position	Normal voltage	Number of poles	Protection degree
Coupler	ZZ-215L	16A	6h	220-380V~ 240-415V~	3P+N+E	IP44
Coupler	ZZ-225L	32A	6h	220-380V~ 240-415V~	3P+N+E	IP44



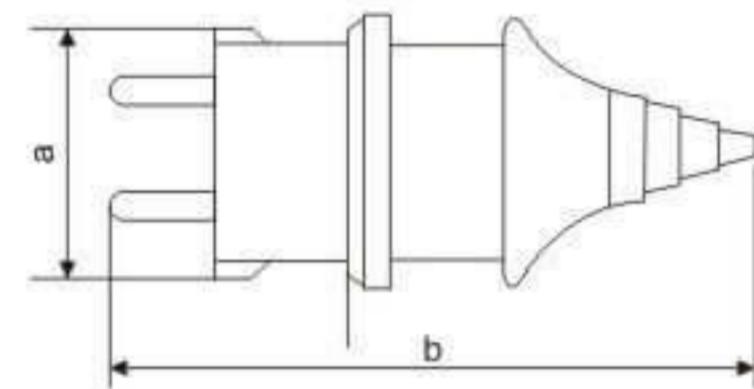
(mm)	a	b	c	Φ	(mm <sup>2</sup> ) Cable nominal cross-section area
ZZ-215L	92	63	169	6	1-2.5
ZZ-225L	101	70	185	8	2.5-6

Industrial plugs, sockets,  
couplers (connectors) for the world

◆Products that meet the German industry standard DIN VDE 0623, European / International Standard EN/IEC 60309-1/2 For other voltages and frequencies, please contact us for further information.



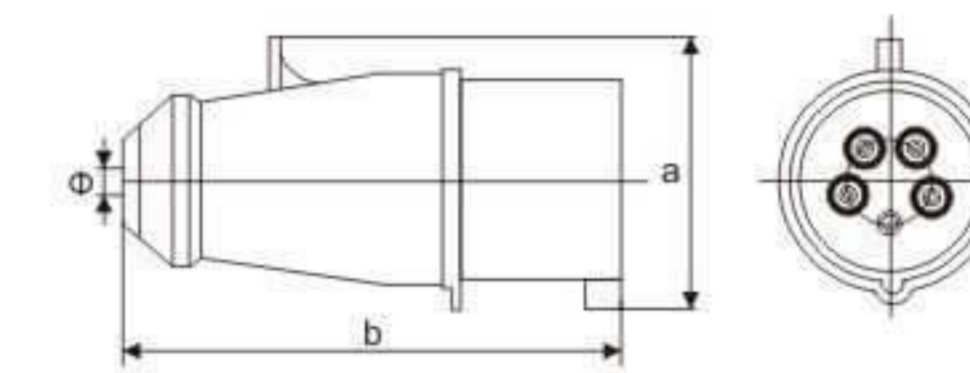
Appellation	Code	Normal current	Normal voltage	Number of poles	Protection degree
Plug	ZZ-012	16A	220-250V~	2P+E	IP44



(mm)	a	b	(mm <sup>2</sup> ) Cable nominal cross-section area
ZZ-012	40	96	1-2.5



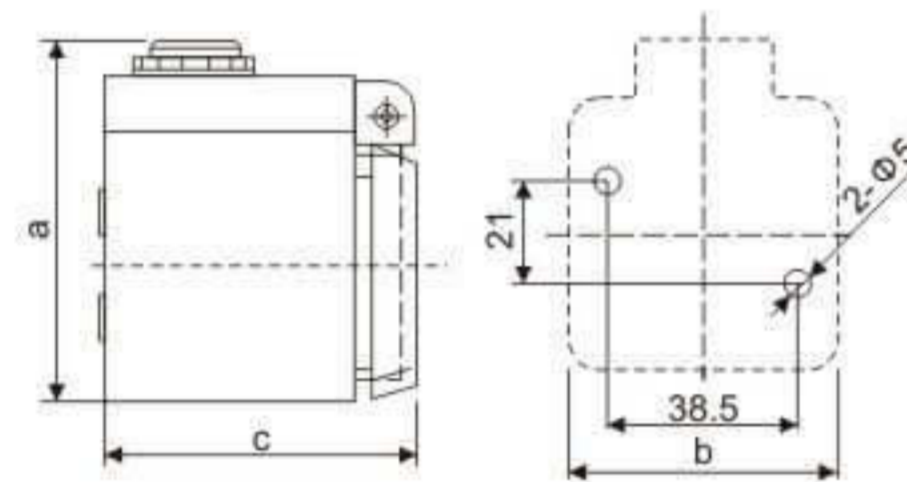
Appellation	Code	Normal current	Earth contact position	Normal voltage	Number of poles	Protection degree
Plug	ZZ-015/X	16A	6h	220-380V~ 240-415V~	3P+N+E	IP44



(mm)	a	b	(mm <sup>2</sup> ) Cable nominal cross-section area
ZZ-015/X	70	125	1-2.5



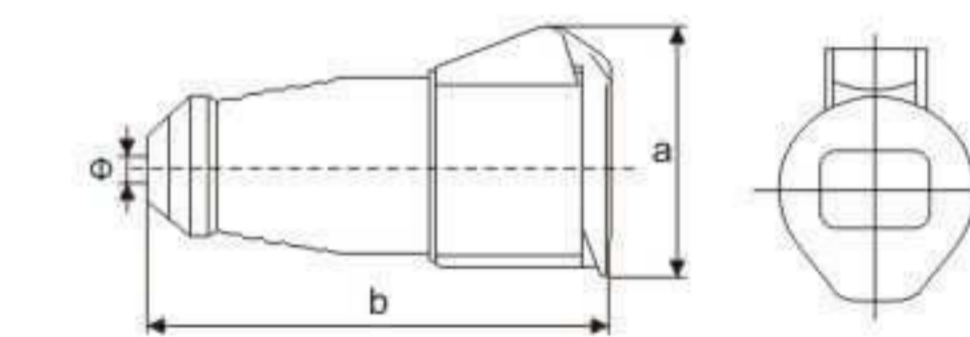
Appellation	Code	Normal current	Normal voltage	Number of poles	Protection degree
Socket	ZZ-112	16A	220-250V~	2P+E	IP44



(mm)	a	b	c	(mm <sup>2</sup> ) Cable nominal cross-section area
ZZ-112	70	53	67	1-2.5



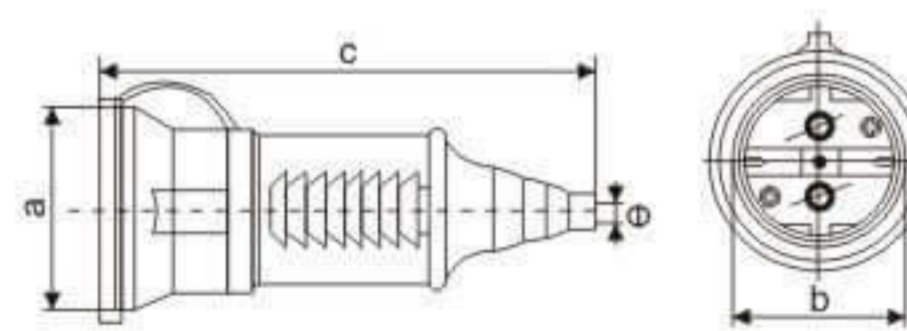
Appellation	Code	Normal current	Earth contact position	Normal voltage	Number of poles	Protection degree
Coupler	ZZ-215/X	16A	6h	220-380V~ 240-415V~	3P+N+E	IP44



(mm)	a	b	(mm <sup>2</sup> ) Cable nominal cross-section area
ZZ-215/X	85	132	1-2.5



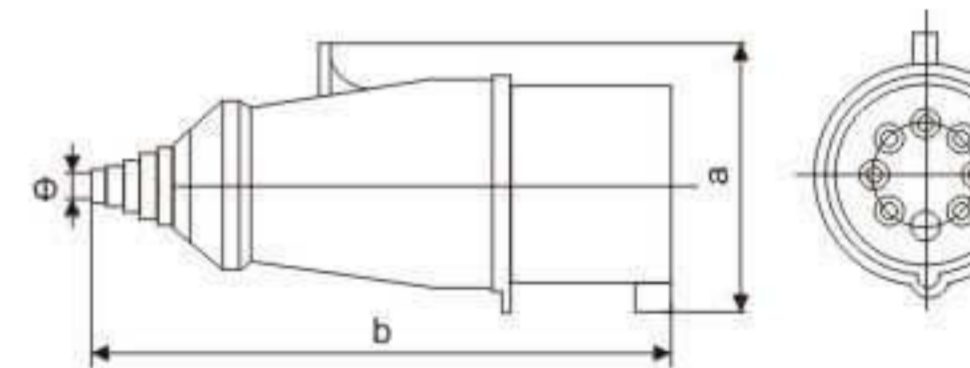
Appellation	Code	Normal current	Normal voltage	Number of poles	Protection degree
Coupler	ZZ-212	16A	220-250V~	2P+E	IP44



(mm)	a	b	c	(mm <sup>2</sup> ) Cable nominal cross-section area
ZZ-212	72	48	123	1-2.5



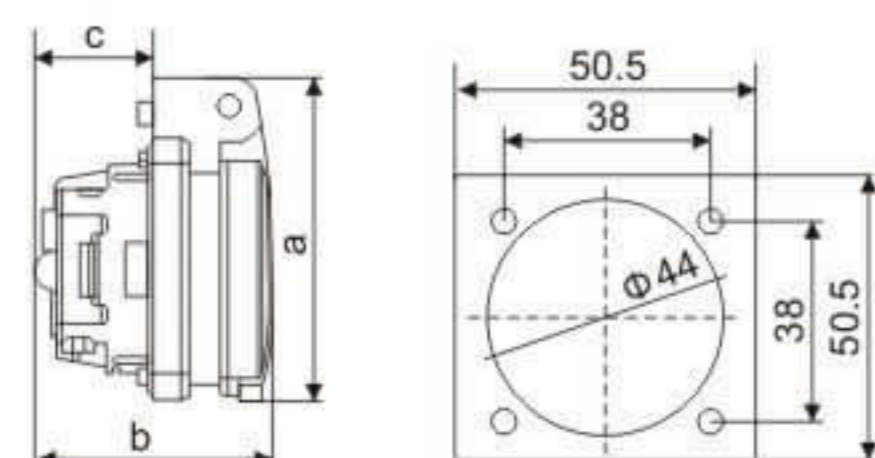
Appellation	Code	Normal current	Earth contact position	Normal voltage	Number of poles	Protection degree
Coupler	ZZ-018	16A	6h	220-380V~ 240-415V~	7P+E	IP44



(mm)	a	b	(mm <sup>2</sup> ) Cable nominal cross-section area
ZZ-018	63	160	1-2.5



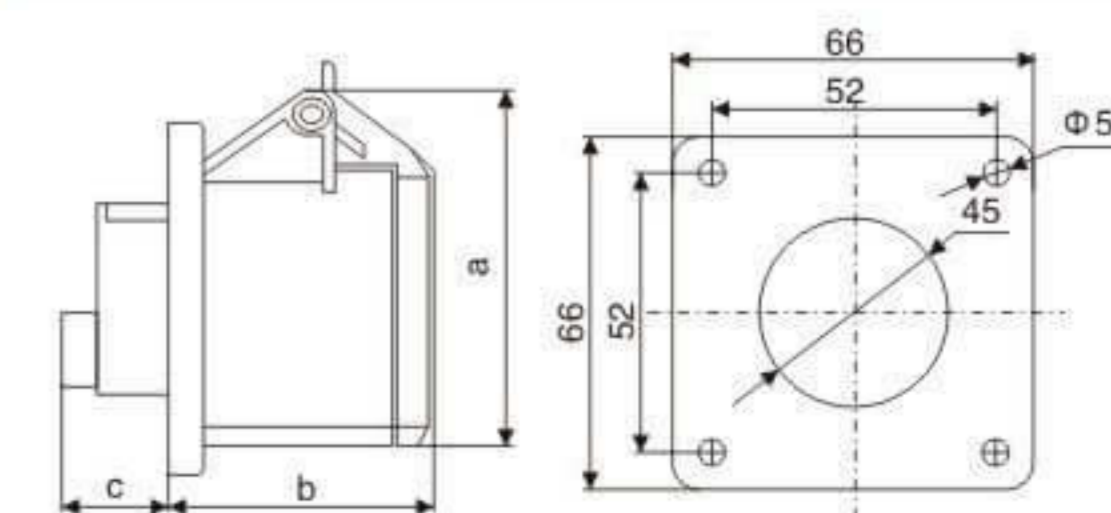
Appellation	Code	Normal current	Normal voltage	Number of poles	Protection degree
Socket	ZZ-312	16A	220-250V~	2P+E	IP44



(mm)	a	b	c	(mm <sup>2</sup> ) Cable nominal cross-section area
ZZ-312	63	43	25	1-2.5



Appellation	Code	Normal current	Earth contact position	Normal voltage	Number of poles	Protection degree
Socket	ZZ-118	16A	6h	220-380V~ 240-415V~	7P+E	IP44

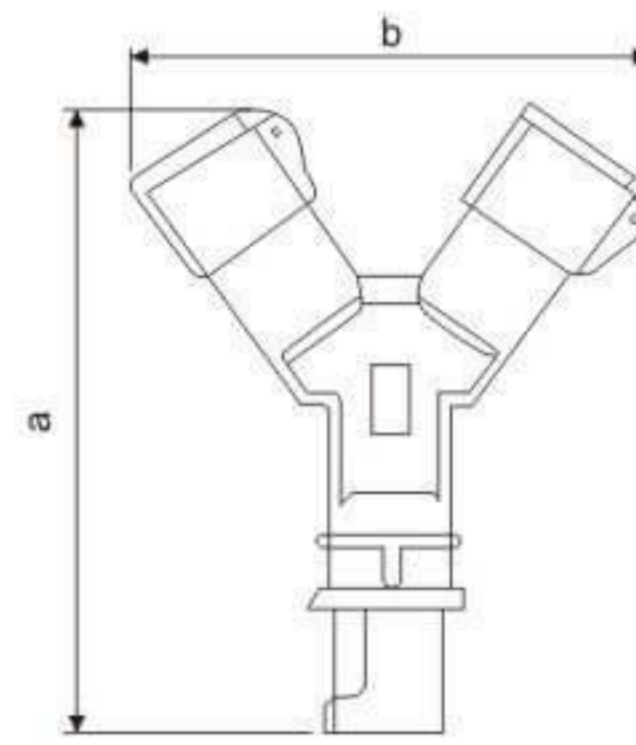


(mm)	a	b	c	(mm <sup>2</sup> ) Cable nominal cross-section area
ZZ-118	83	50	25	1-2.5

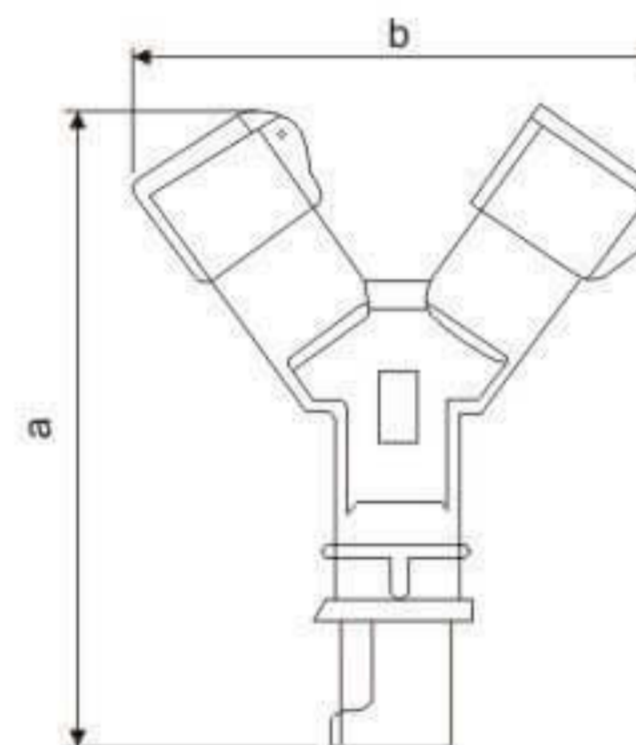


Industrial plugs, sockets, couplers (connectors) for the world

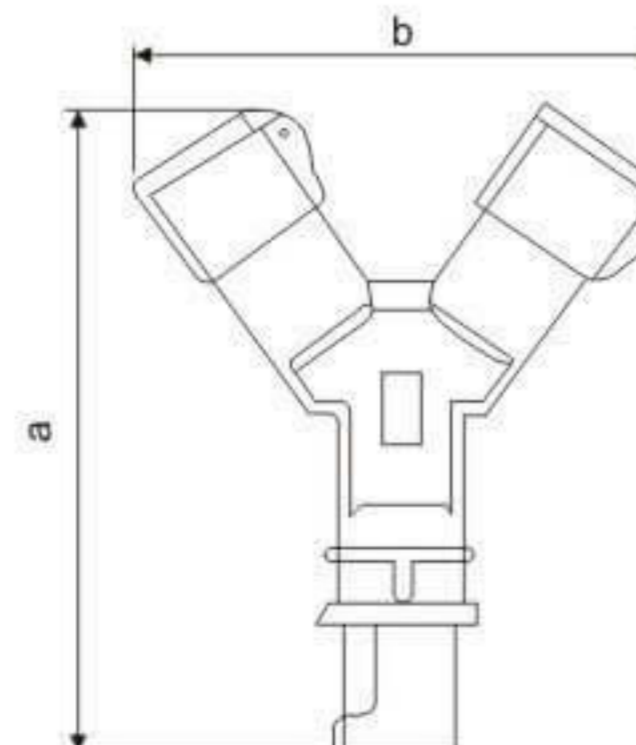
Multi-function Plug & Socket & Connector



Code	Normal current	Earth contact position	Normal voltage	Number of poles	Protection degree	(mm)	
						a	b
ZZ-1012-3	16A	6h	220-240V~	2P+E	IP44	203	185
ZZ-1022-3	32A	6h	220-240V~	2P+E	IP44	285	255

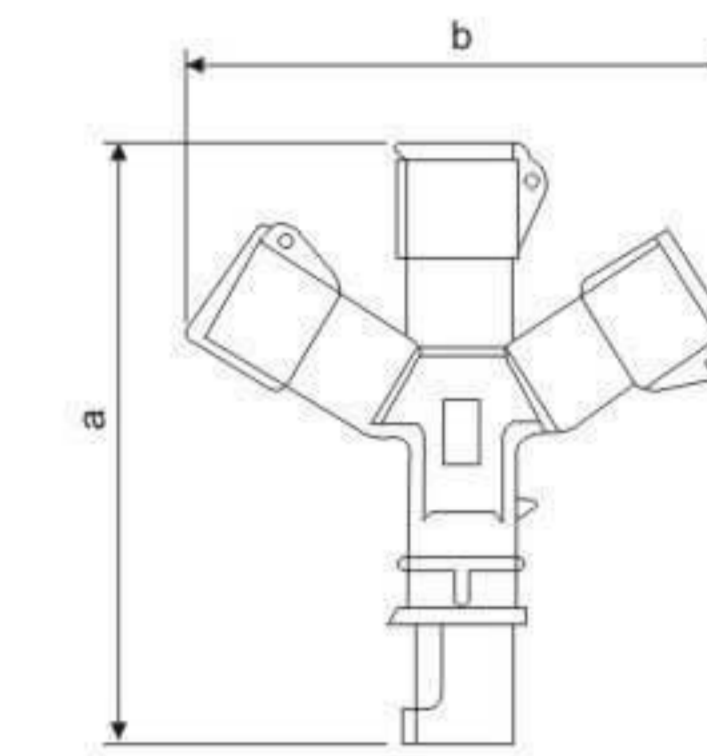
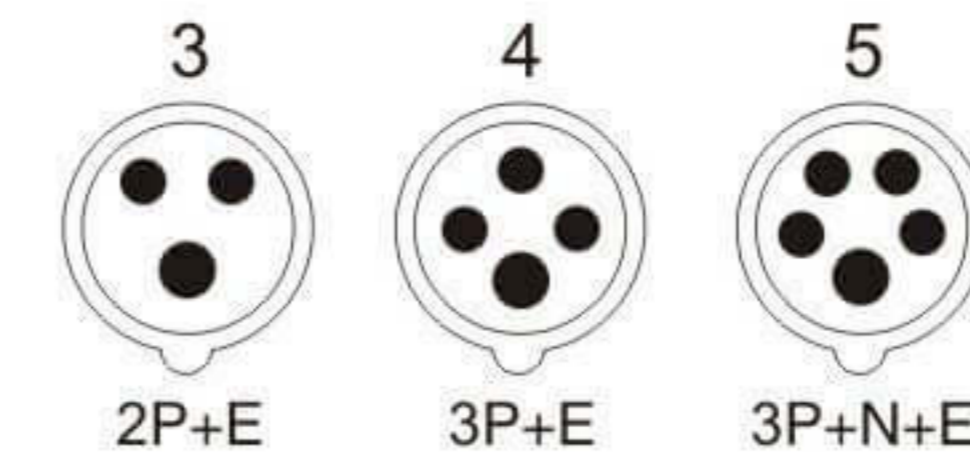


Code	Normal current	Earth contact position	Normal voltage	Number of poles	Protection degree	(mm)	
						a	b
ZZ-1012-4	16A	6h	380-415V~	3P+E	IP44	205	185
ZZ-1022-4	32A	6h	380-415V~	3P+E	IP44	285	255

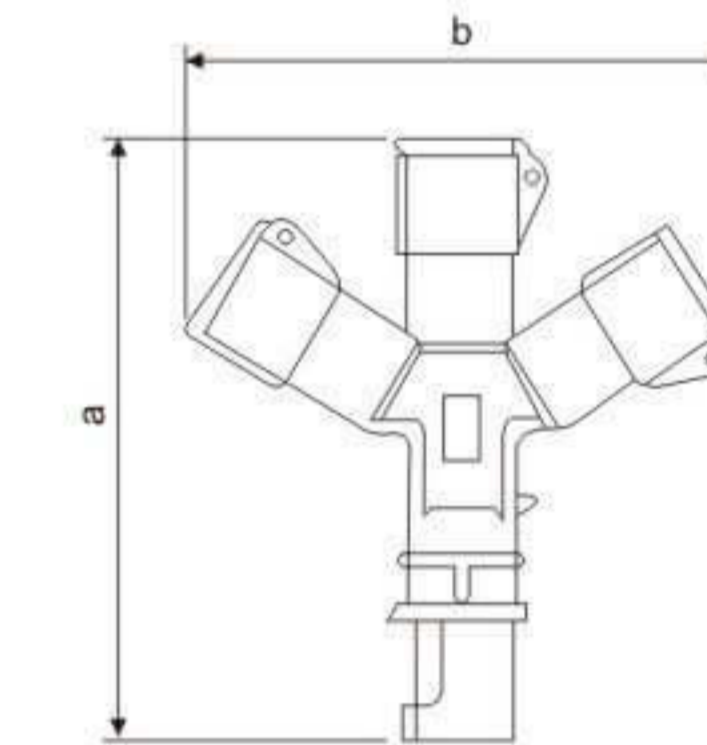


Code	Normal current	Earth contact position	Normal voltage	Number of poles	Protection degree	(mm)	
						a	b
ZZ-1012-5	16A	6h	220-380V~ 240-415V~	3P+N+E	IP44	265	240

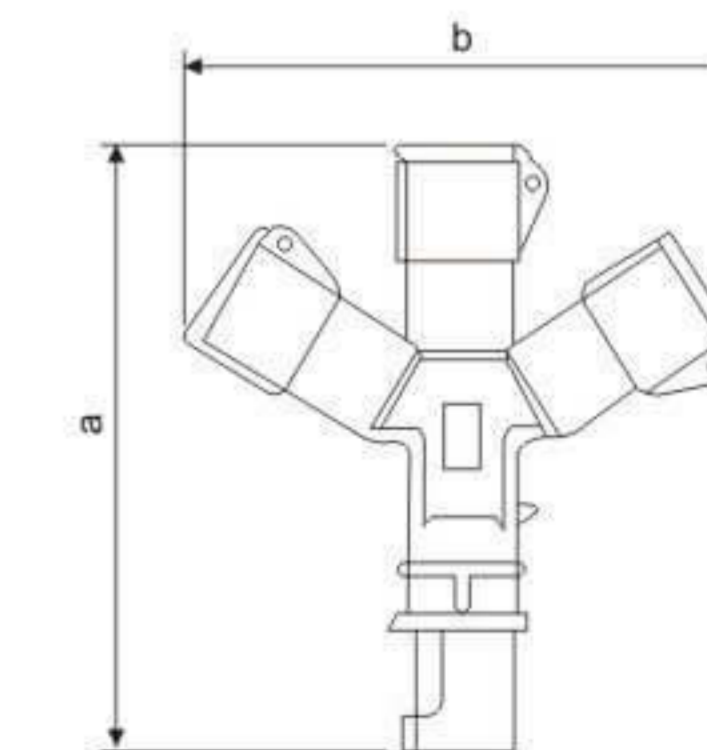
◆Products that meet the German industry standard DIN VDE 0623, European / International Standard EN/IEC 60309-1/2 For other voltages and frequencies, please contact us for further information.



Code	Normal current	Earth contact position	Normal voltage	Number of poles	Protection degree	(mm)	
						a	b
ZZ-1013	16A	6h	220-240V~	2P+E	IP44	223	220
ZZ-1023	32A	6h	220-240V~	2P+E	IP44	318	305



Code	Normal current	Earth contact position	Normal voltage	Number of poles	Protection degree	(mm)	
						a	b
ZZ-1014	16A	6h	380-415V~	3P+E	IP44	223	220
ZZ-1024	32A	6h	380-415V~	3P+E	IP44	318	305



Code	Normal current	Earth contact position	Normal voltage	Number of poles	Protection degree	(mm)	
						a	b
ZZ-1015	16A	6h	220-380V~ 240-415V~	3P+N+E	IP44	305	295

Industrial plugs, sockets, couplers (connectors) for the world



Code	Normal current	Input	Output	Number of poles	Protection degree
ZZ-013X/213X	16A	220V	220V	2P+E	IP44



Code	Normal current	Input	Output	Number of poles	Protection degree
ZZ-0132/2132	16A	220V	220V	2P+E	IP67



Code	Normal current	Input	Output	Number of poles	Protection degree
ZZ-014X/214X	16A	380V	380V	3P+E	IP44



Code	Normal current	Input	Output	Number of poles	Protection degree
ZZ-0242/2242	32A	380~415V	380~415V	3P+E	IP67



Code	Qty	(mm)
ZZ-314X	2只	200 x 150 x 100



Code	Qty	(mm)
ZZ-313	3只	500 x 140 x 95

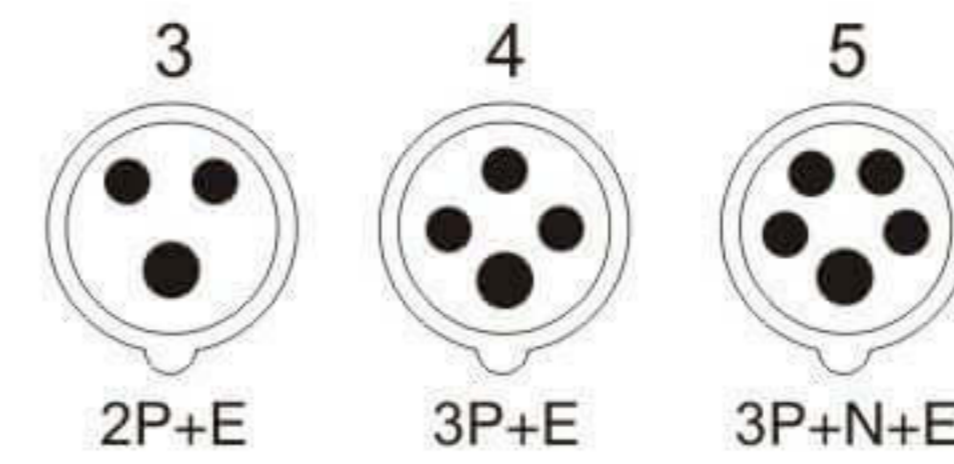


Code	Qty	(mm)
ZZ-3232	3	500 x 140 x 95



Code	Qty	(mm)
ZZ-313X	1只	490 x 140 x 95
ZZ-3132	2只	490 x 140 x 95

◆Products that meet the German industry standard DIN VDE 0623, European / International Standard EN/IEC 60309-1/2 For other voltages and frequencies, please contact us for further information.



Code	ZZ-312	ZZ-313
Qty	2	2
(mm)	340 x 220 x 150	



Code	ZZ-312	ZZ-425
Qty	3	2
(mm)	380 x 280 x 130	



Code	ZZ-324X	ZZ-323X
Qty	3	3
(mm)	380 x 280 x 140	



Code	Qty
ZZ-313X	4
ZZ-315X	4
ZZ-3252	3
ZZ-034	1
ZZ-634	1
(mm)	340 x 370 x 330



Code	ZZ-1142	ZZ-1252
Qty	2	2
(mm)	520 x 300 x 160	



Code	Qty
ZZ-312	4
ZZ-1252	4
ZZ-015X	1
(mm)	230 x 300 x 287